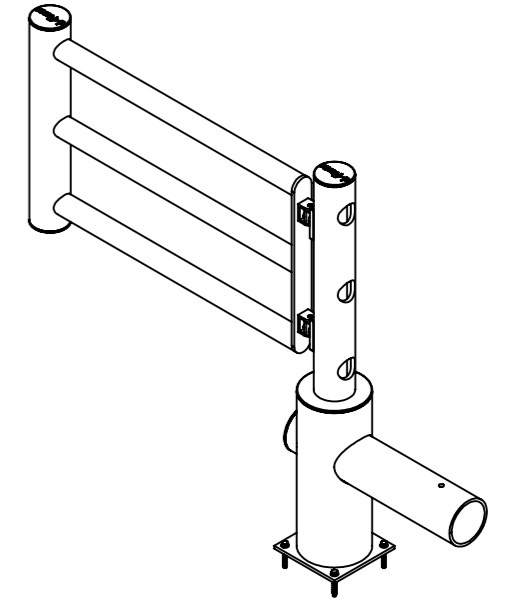
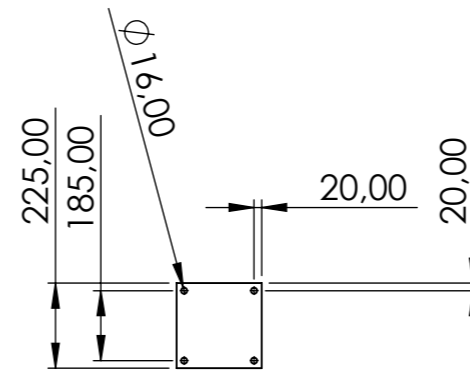
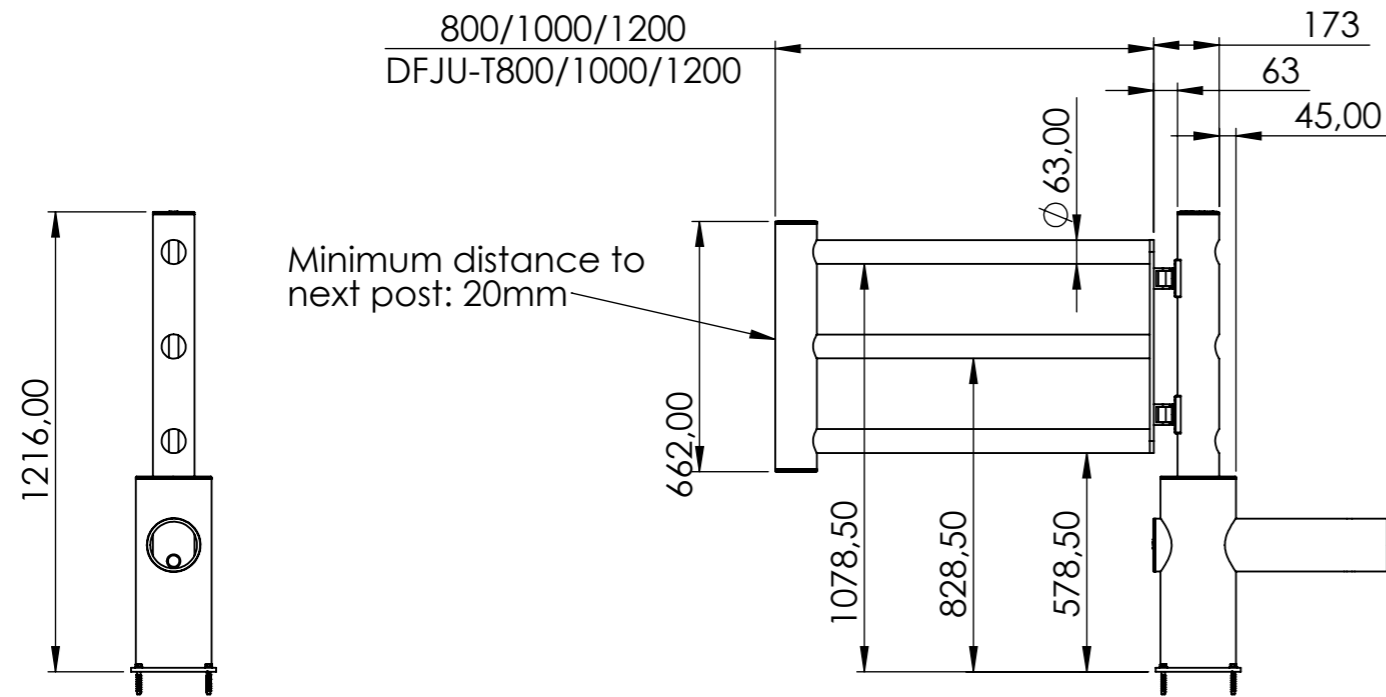
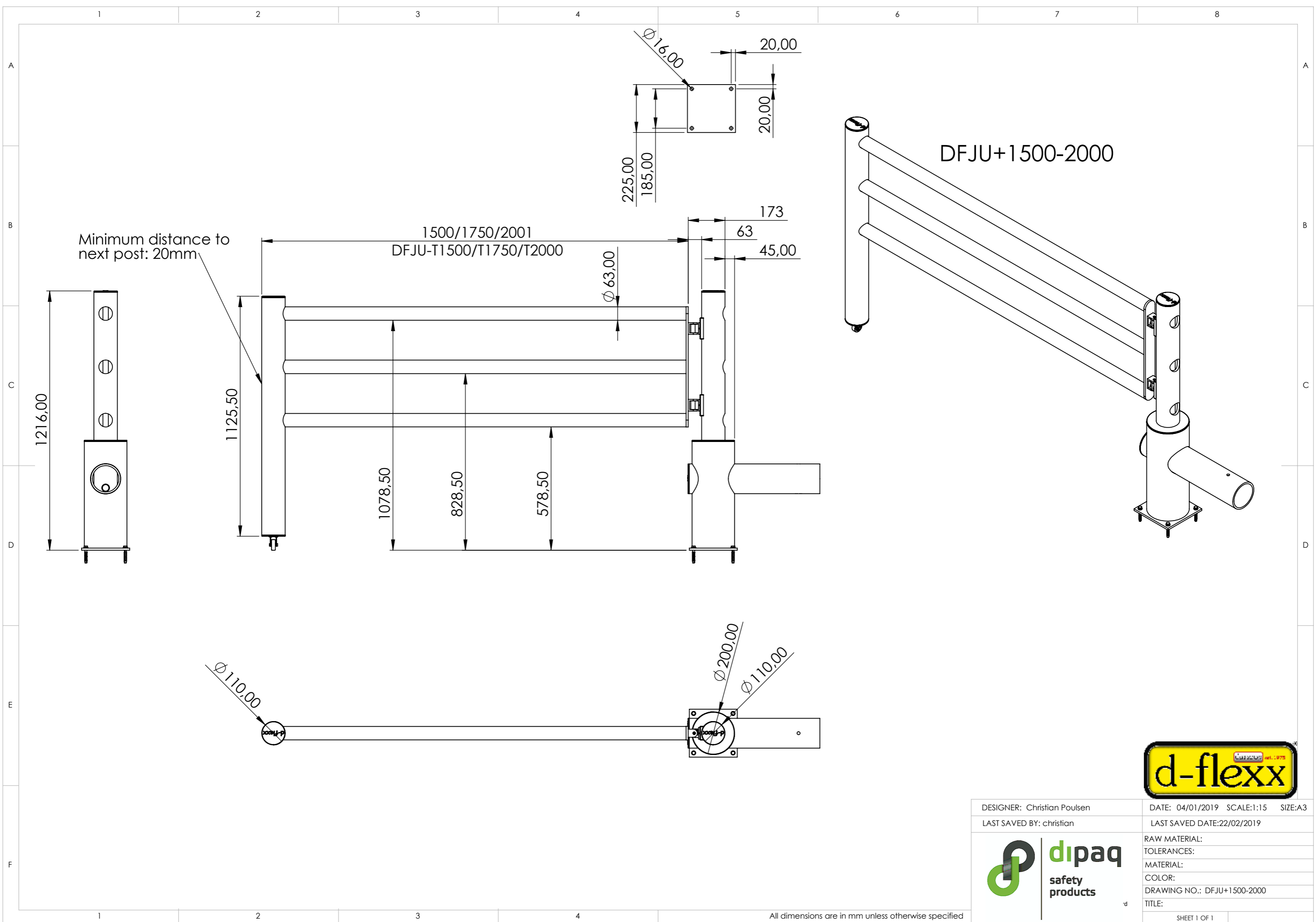



DFJU+800-1200

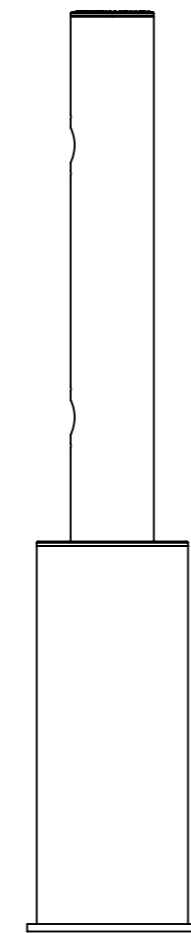
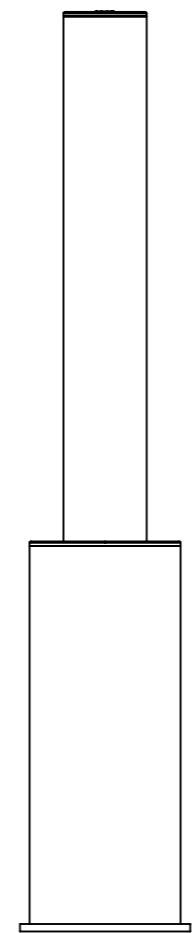
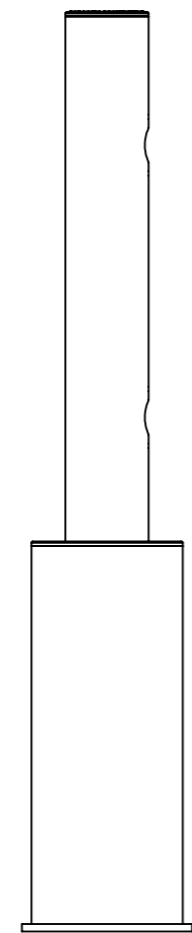
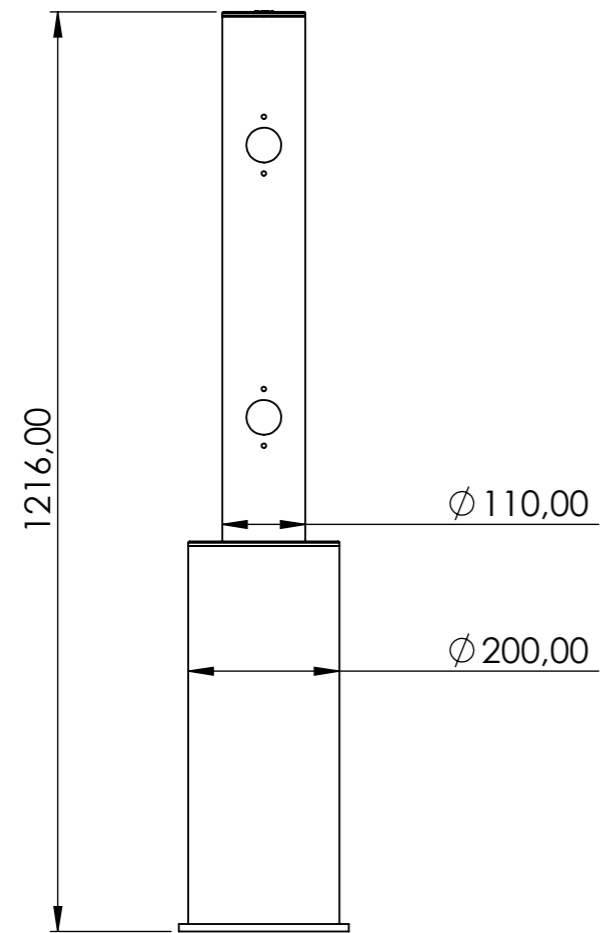


DESIGNER: Christian Poulsen	DATE: 04/01/2019	SCALE: 1:20	SIZE: A3
LAST SAVED BY: christian	LAST SAVED DATE: 22/02/2019		
	RAW MATERIAL:		
	TOLERANCES:		
	MATERIAL:		
	COLOR:		
	DRAWING NO.: DFJU+800-1200		
TITLE:			SHEET 1 OF 1



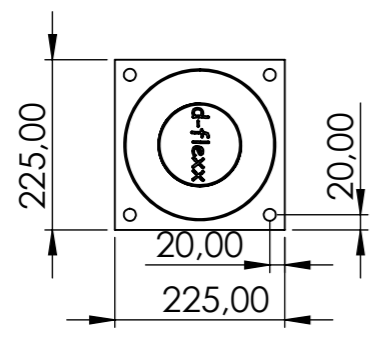
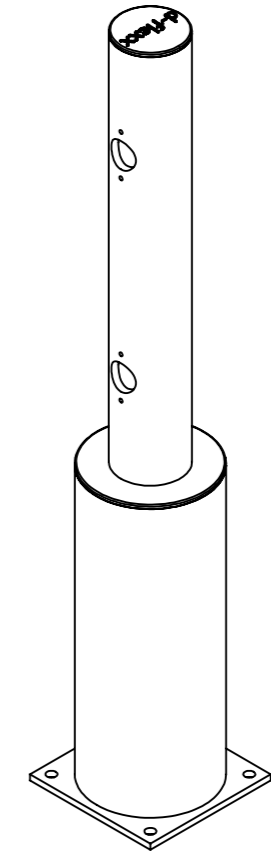
DESIGNER: Christian Poulsen	DATE: 04/01/2019	SCALE: 1:15	SIZE: A3
LAST SAVED BY: christian	LAST SAVED DATE: 22/02/2019		
	RAW MATERIAL:		
	TOLERANCES:		
	MATERIAL:		
	COLOR:		
	DRAWING NO.: DFJU+1500-2000		
TITLE:			SHEET 1 OF 1

All dimensions are in mm unless otherwise specified



Echo gate end post

DFJU+TE

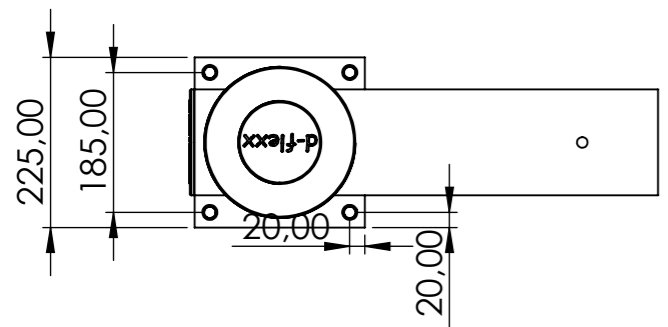
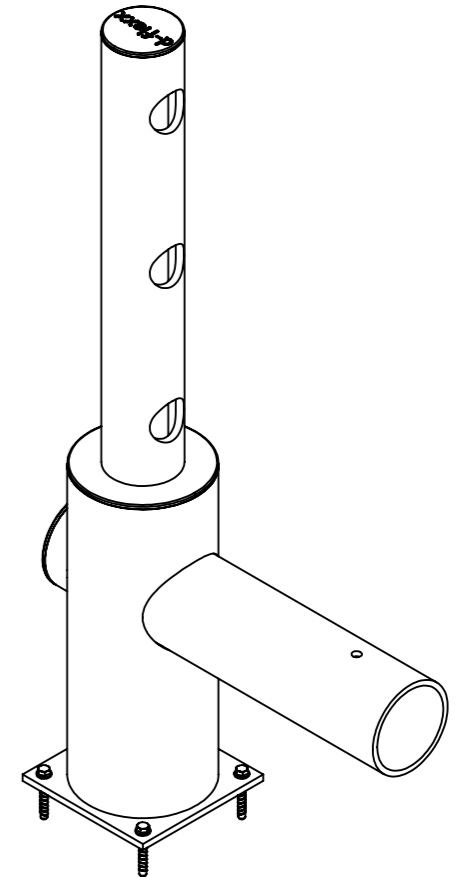
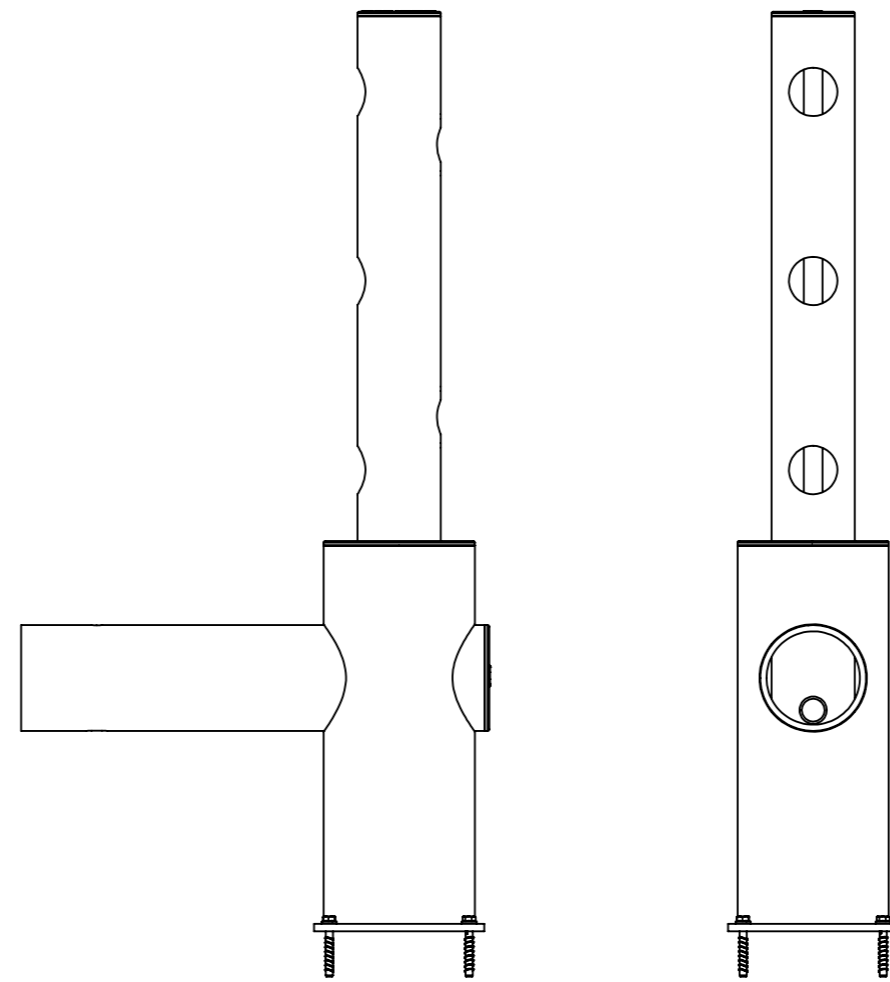
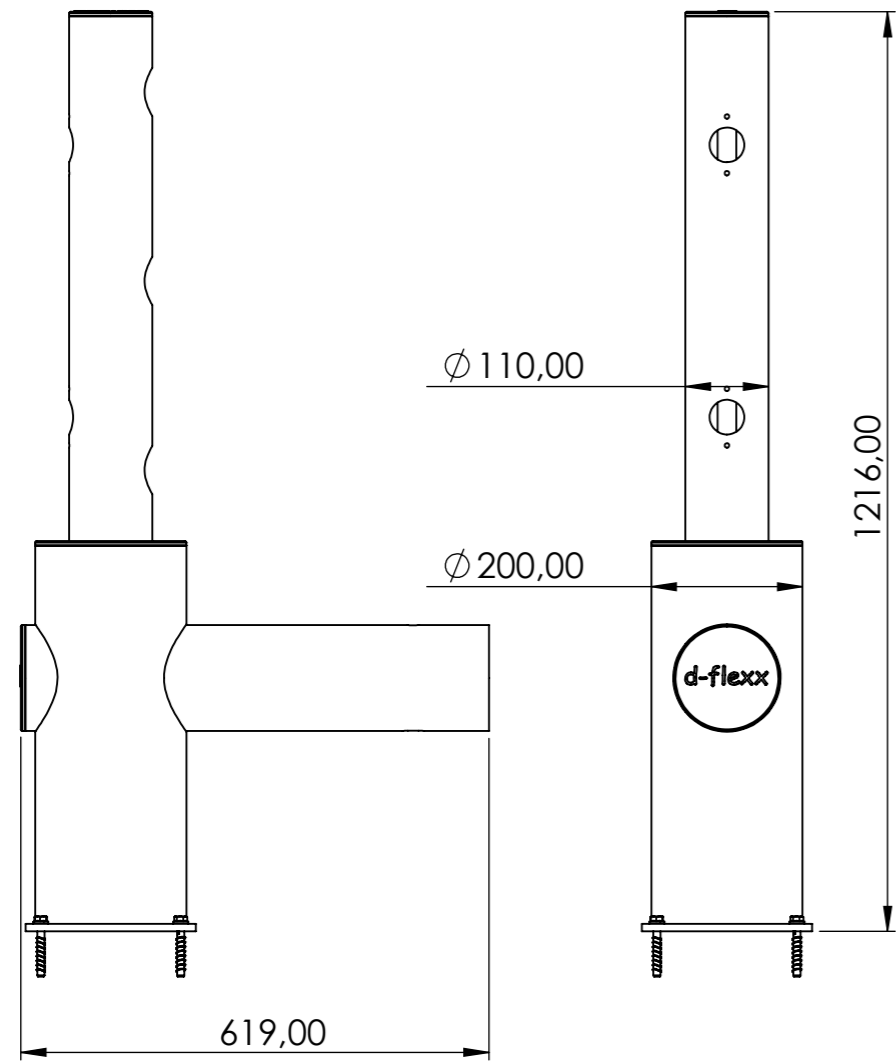



DESIGNER: Christian Poulsen	DATE: 08/02/2019	SCALE:1:10	SIZE:A3
LAST SAVED BY: christian	LAST SAVED DATE:15/02/2019		
	RAW MATERIAL:		
	TOLERANCES:		
	MATERIAL:		
	COLOR:		
	DRAWING NO.: DFJU+TE		
TITLE: Echo gate end post			
SHEET 1 OF 1			

All dimensions are in mm unless otherwise specified

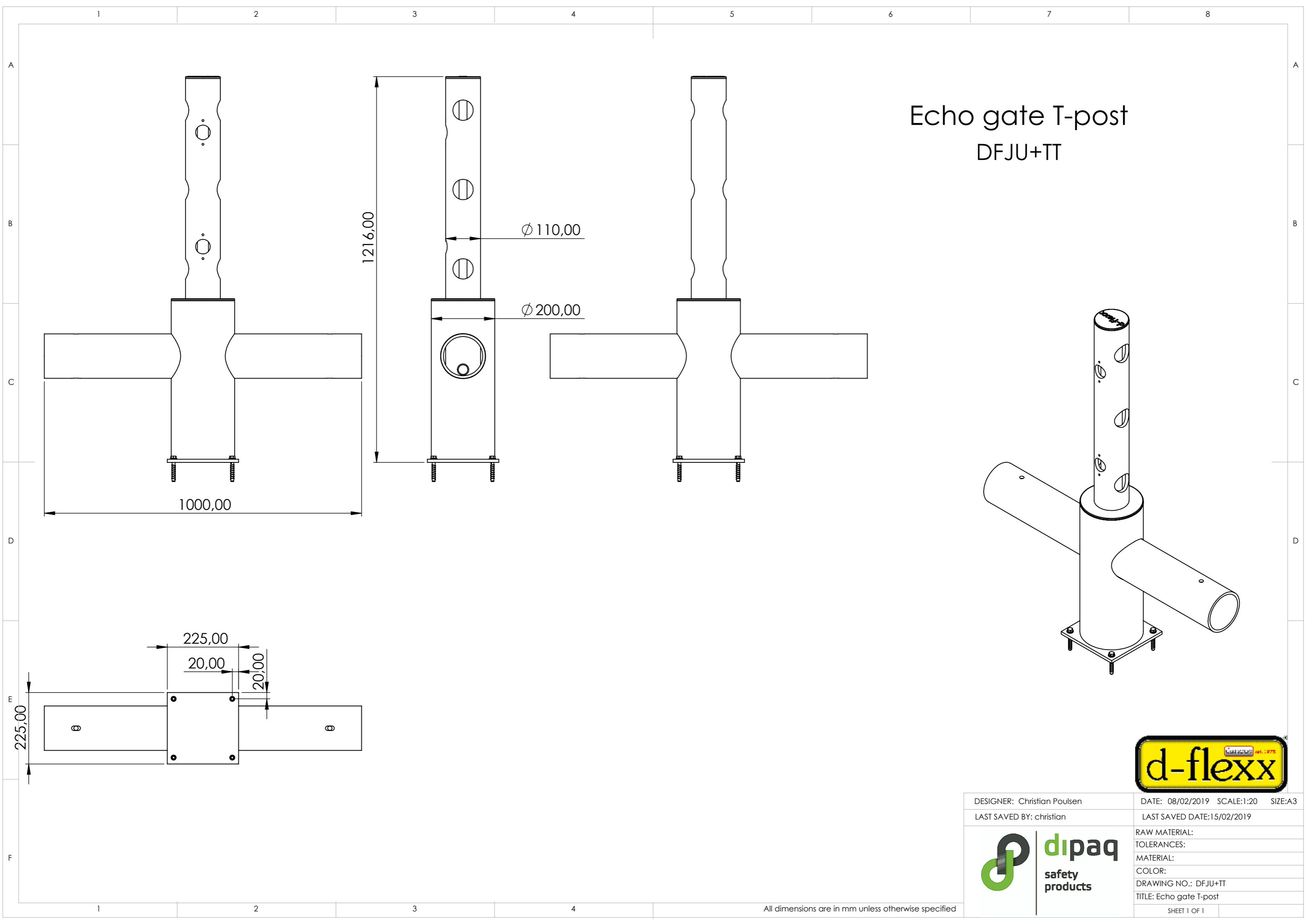
Echo gate middle post

DFJU+TM

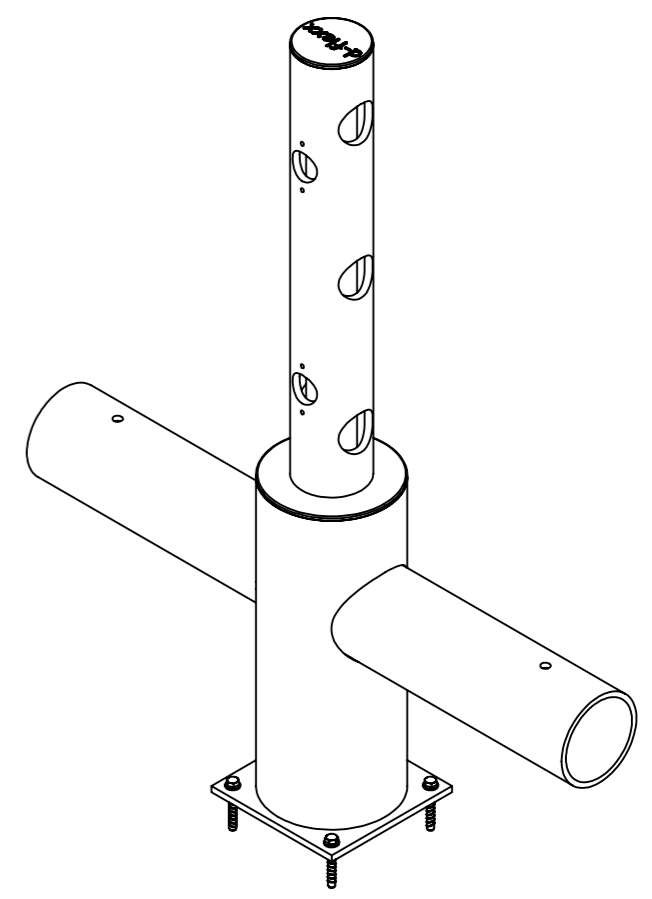



DESIGNER: Christian Poulsen	DATE: 08/02/2019	SCALE: 1:20	SIZE: A3
LAST SAVED BY: christian	LAST SAVED DATE: 15/02/2019		
	RAW MATERIAL:		
	TOLERANCES:		
	MATERIAL:		
	COLOR:		
	DRAWING NO.: DFJU+TM		
TITLE: Echo gate middle post			
SHEET 1 OF 1			

All dimensions are in mm unless otherwise specified



Echo gate T-post DFJU+TT



DESIGNER: Christian Poulsen	DATE: 08/02/2019	SCALE: 1:20	SIZE: A3
LAST SAVED BY: christian	LAST SAVED DATE: 15/02/2019		
	RAW MATERIAL:		
	TOLERANCES:		
	MATERIAL:		
	COLOR:		
	DRAWING NO.: DFJU+TT		
TITLE: Echo gate T-post			
SHEET 1 OF 1			

All dimensions are in mm unless otherwise specified

1 2 3 4 5 6 7 8

A

B

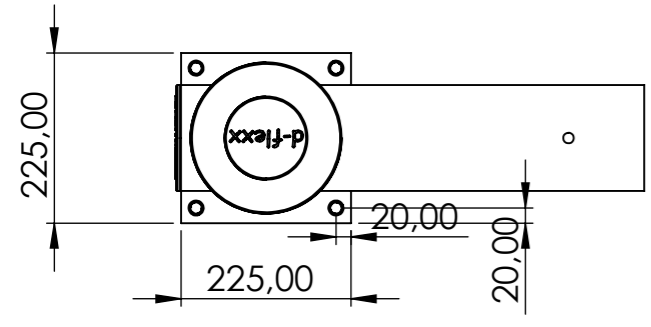
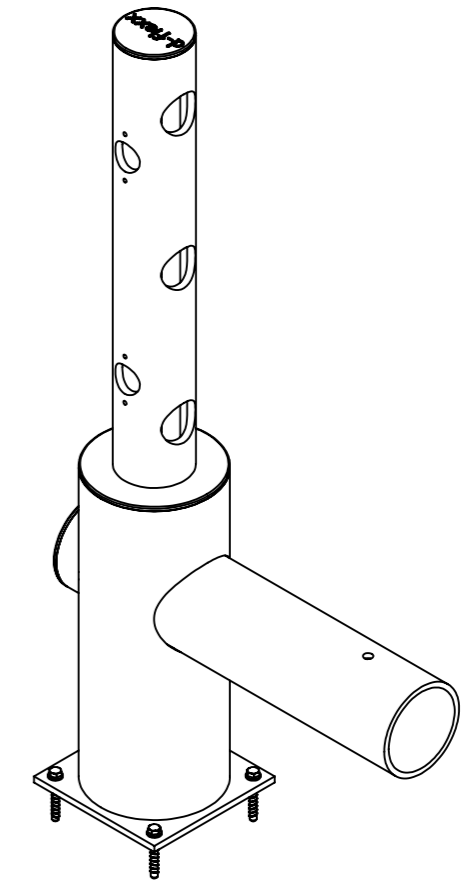
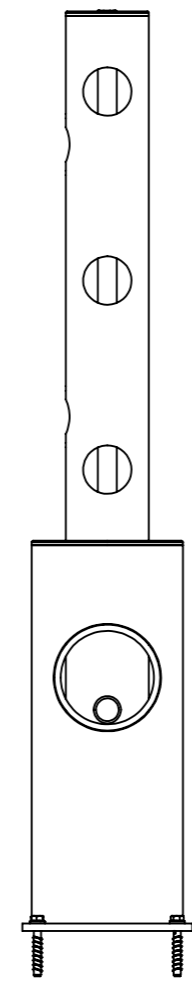
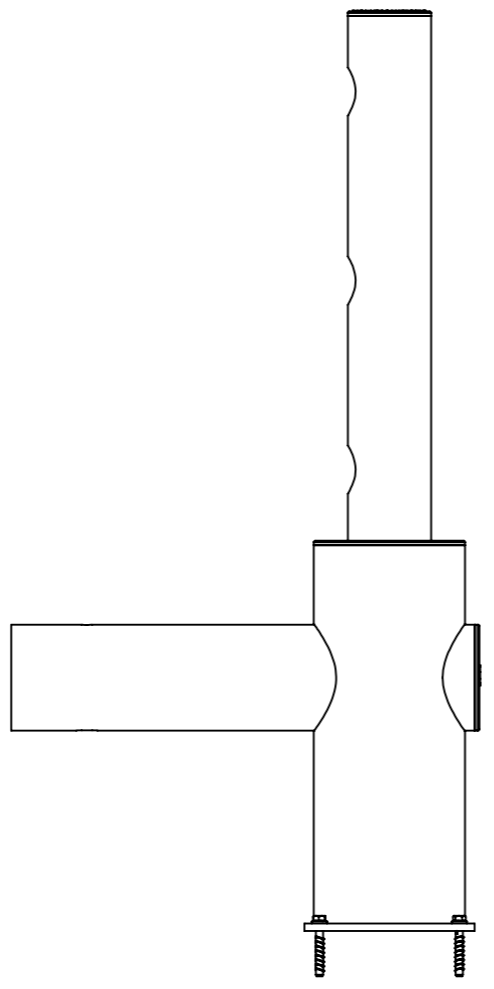
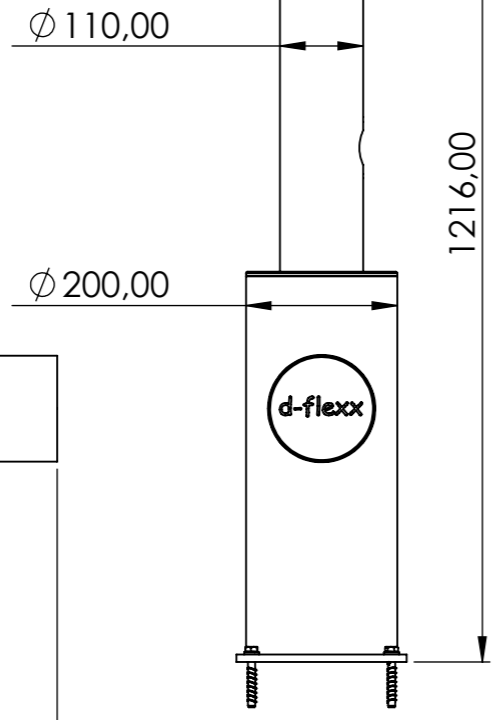
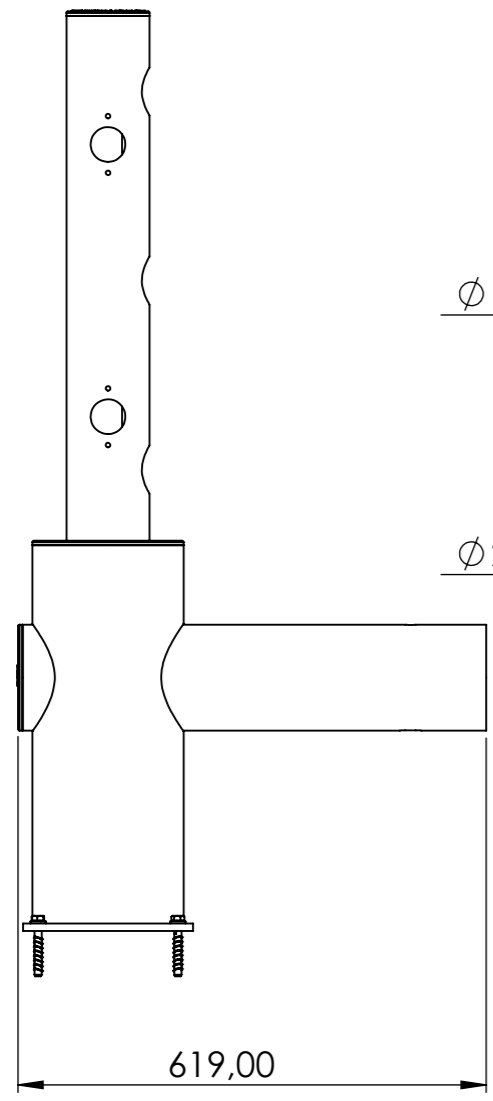
C

D

E

F

Echo gate 90 left DFJU+TW90L



DESIGNER: Christian Poulsen	DATE: 08/02/2019	SCALE: 1:20	SIZE: A3
LAST SAVED BY: christian	LAST SAVED DATE: 15/02/2019		
	RAW MATERIAL:		
	TOLERANCES:		
	MATERIAL:		
	COLOR:		
	DRAWING NO.: DFJU+TW90L		
TITLE: Echo gate 90 left			
SHEET 1 OF 1			

All dimensions are in mm unless otherwise specified

1 2 3 4

1 2 3 4 5 6 7 8

A

B

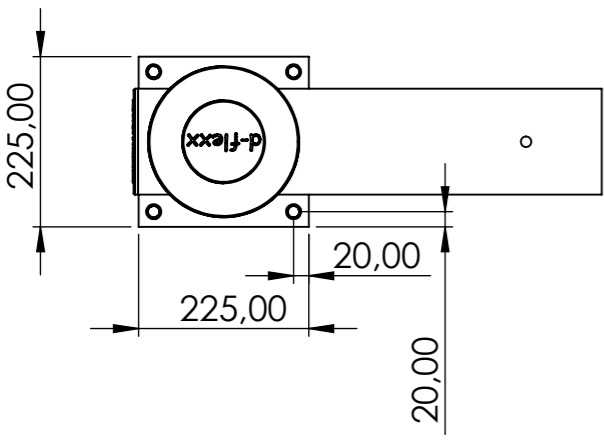
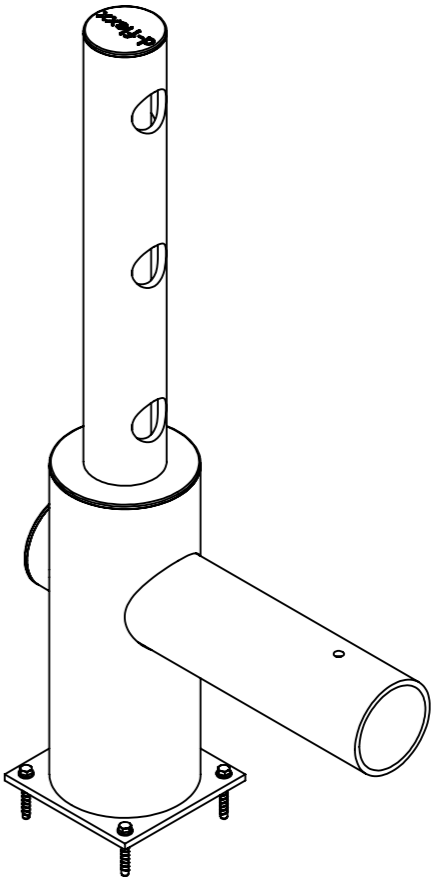
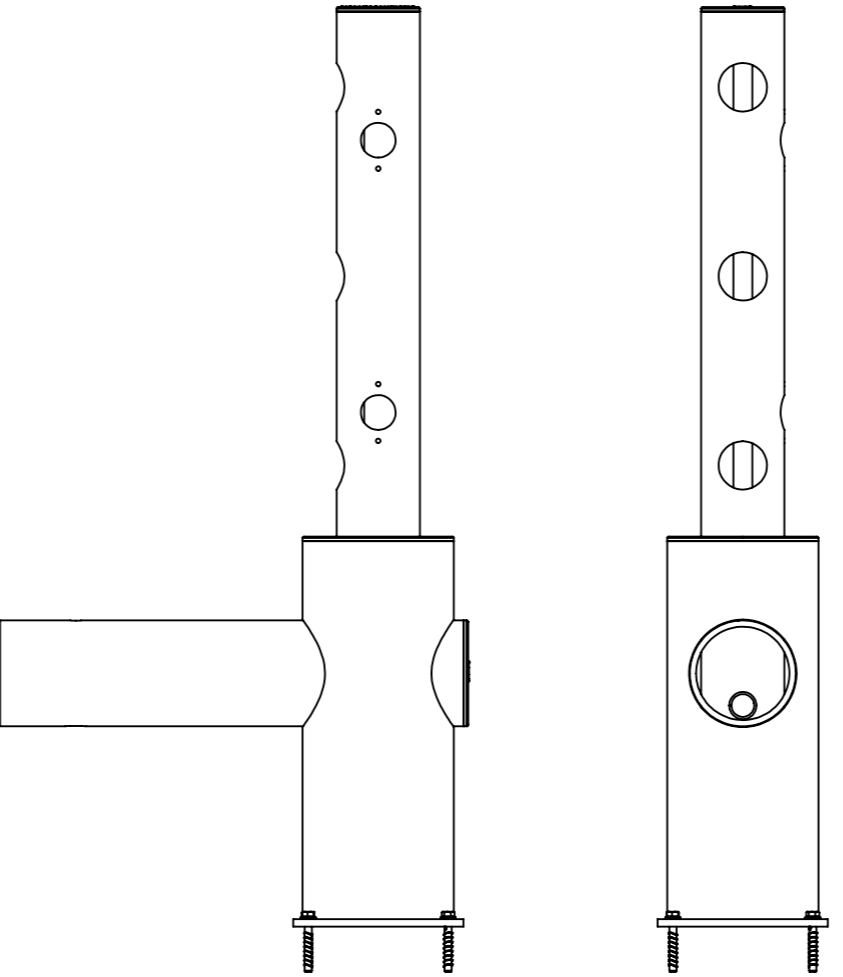
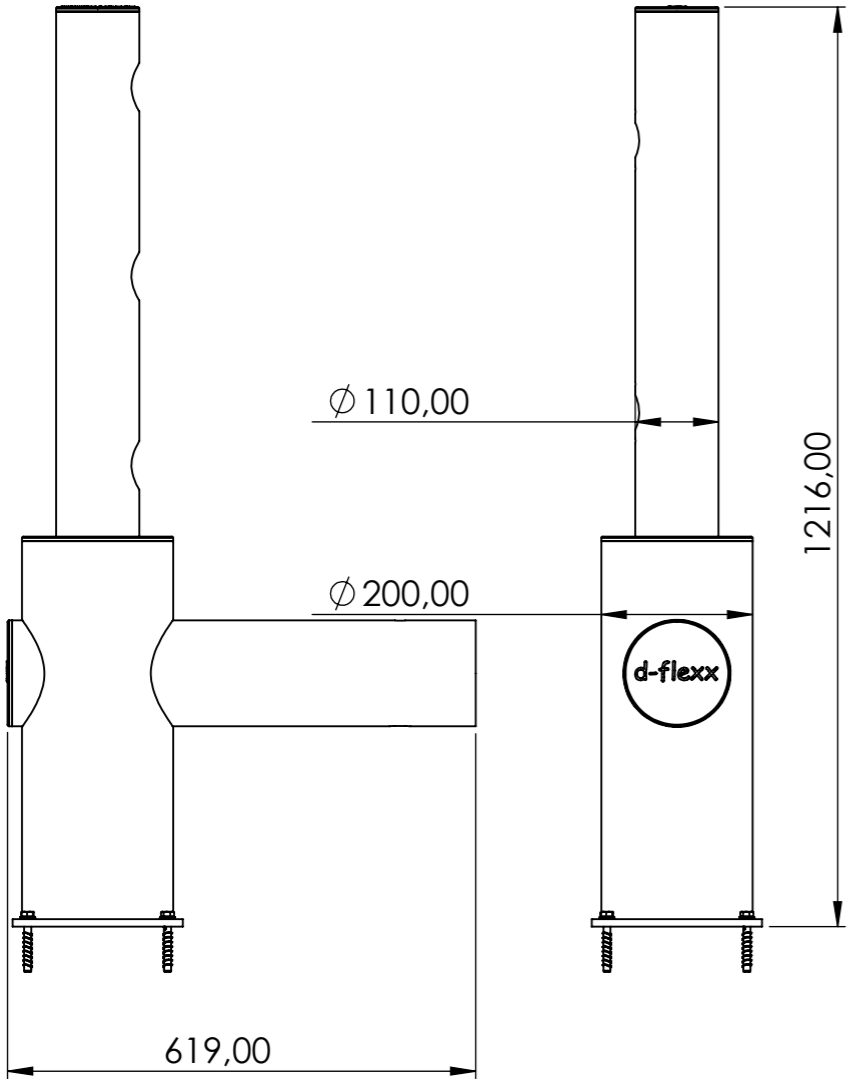
C

D

E

F

Echo gate 90 right DFJU+TW90R

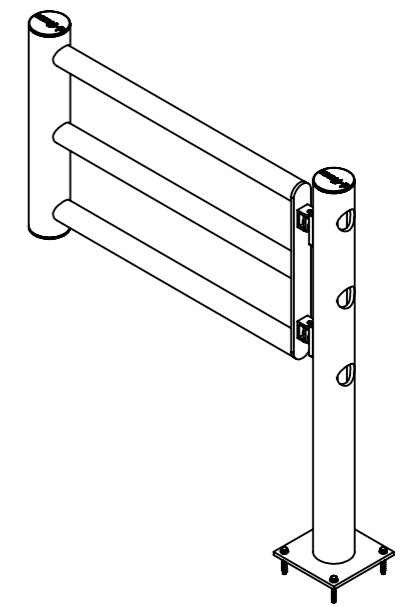
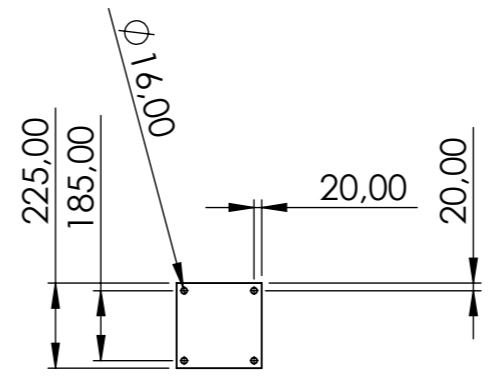
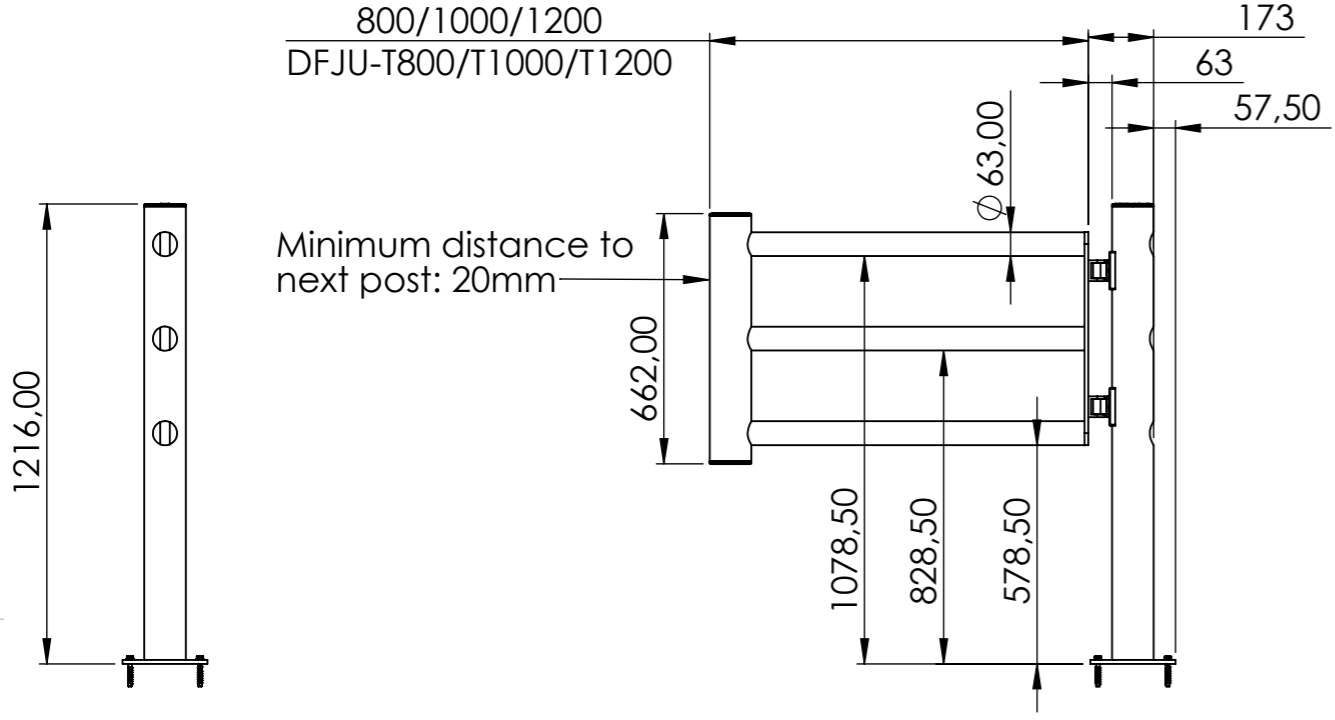


DESIGNER: Christian Poulsen	DATE: 08/02/2019	SCALE: 1:20	SIZE: A3
LAST SAVED BY: christian	LAST SAVED DATE: 15/02/2019		
	RAW MATERIAL:		
	TOLERANCES:		
	MATERIAL:		
	COLOR:		
	DRAWING NO.: DFJU+TW90R		
TITLE: Echo gate 90 right			
SHEET 1 OF 1			

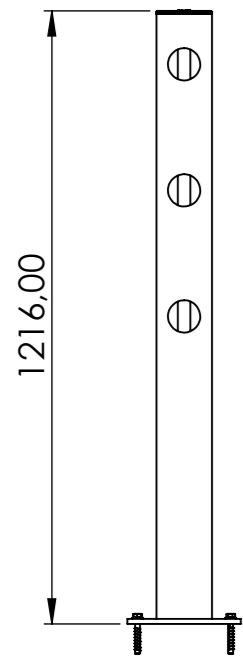
All dimensions are in mm unless otherwise specified

1 2 3 4

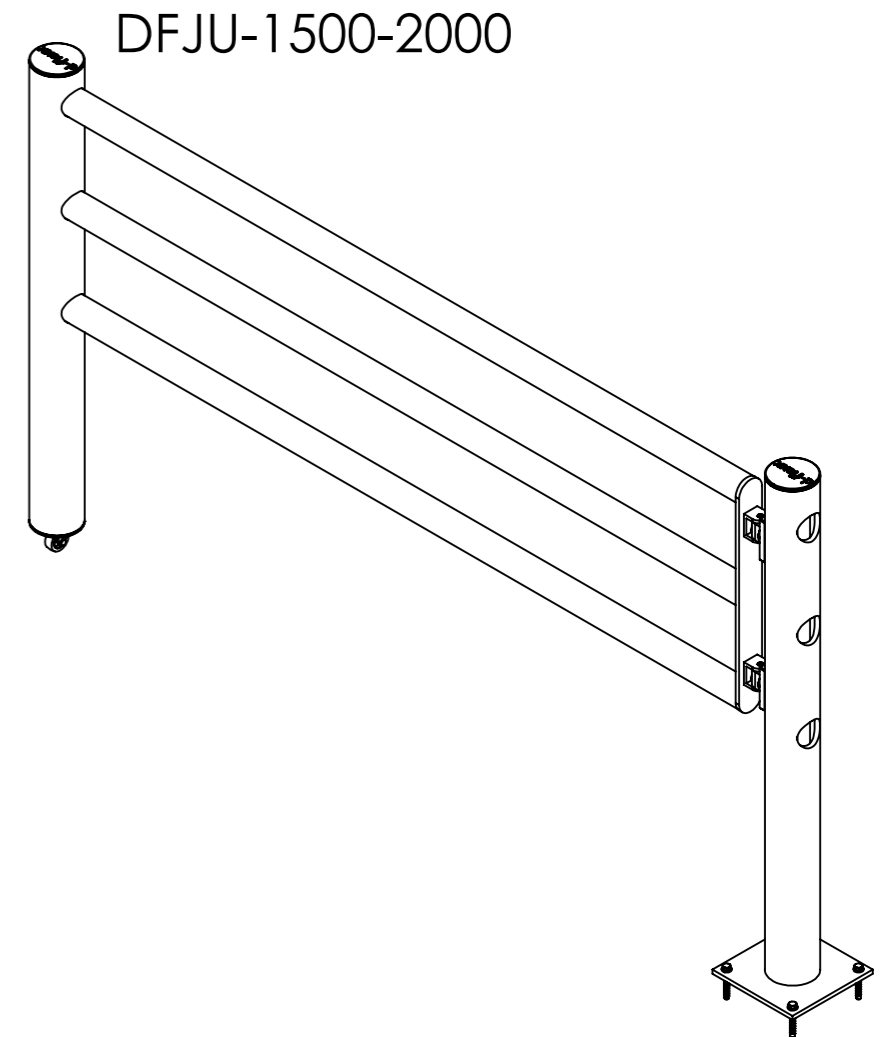
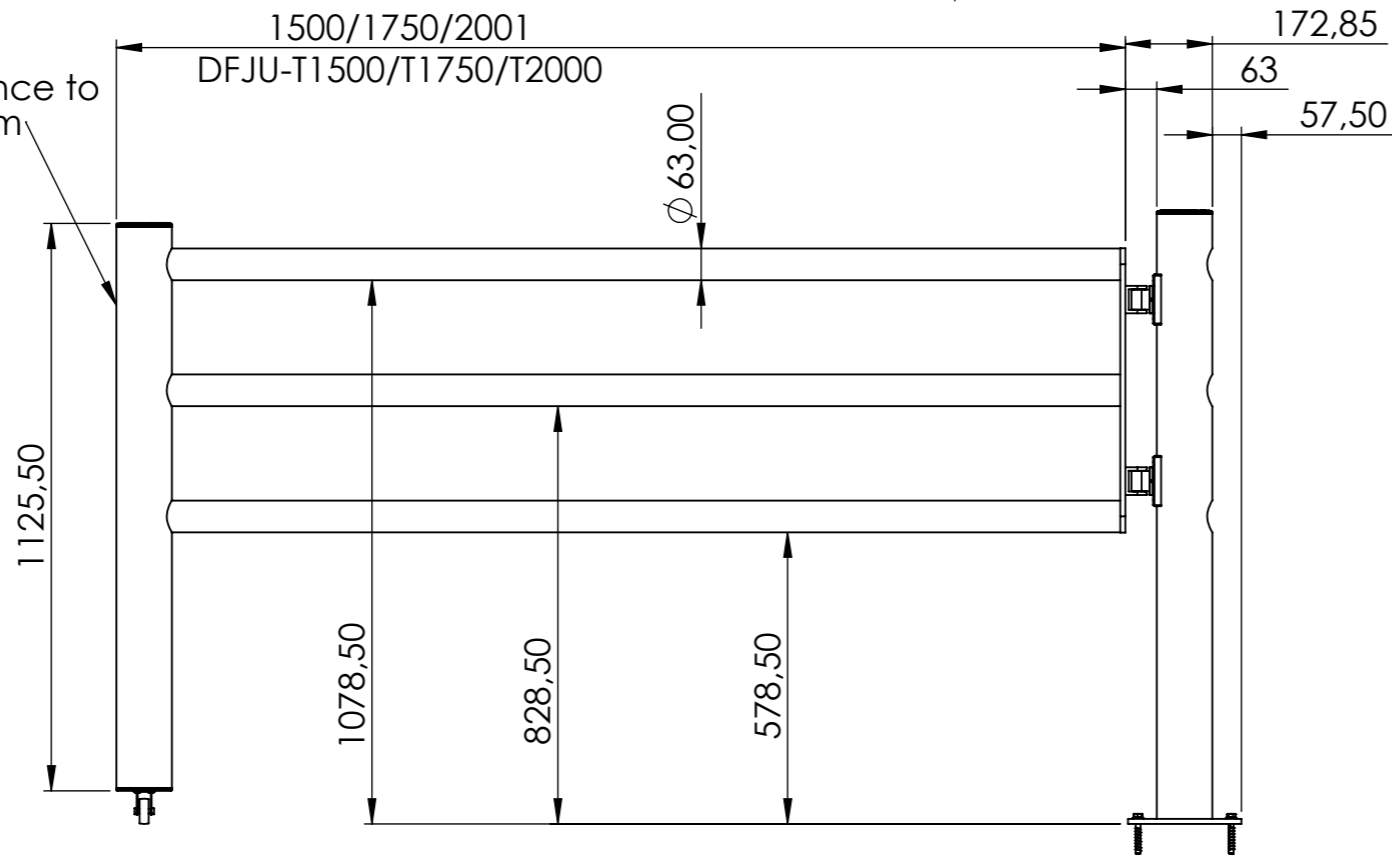
DFJU-800-1200




DESIGNER: Christian Poulsen	DATE: 04/01/2019	SCALE: 1:20	SIZE: A3
LAST SAVED BY: christian	LAST SAVED DATE: 22/02/2019		
	RAW MATERIAL:		
	TOLERANCES:		
	MATERIAL:		
	COLOR:		
	DRAWING NO.: DFJU-800-1200		
TITLE:			SHEET 1 OF 1



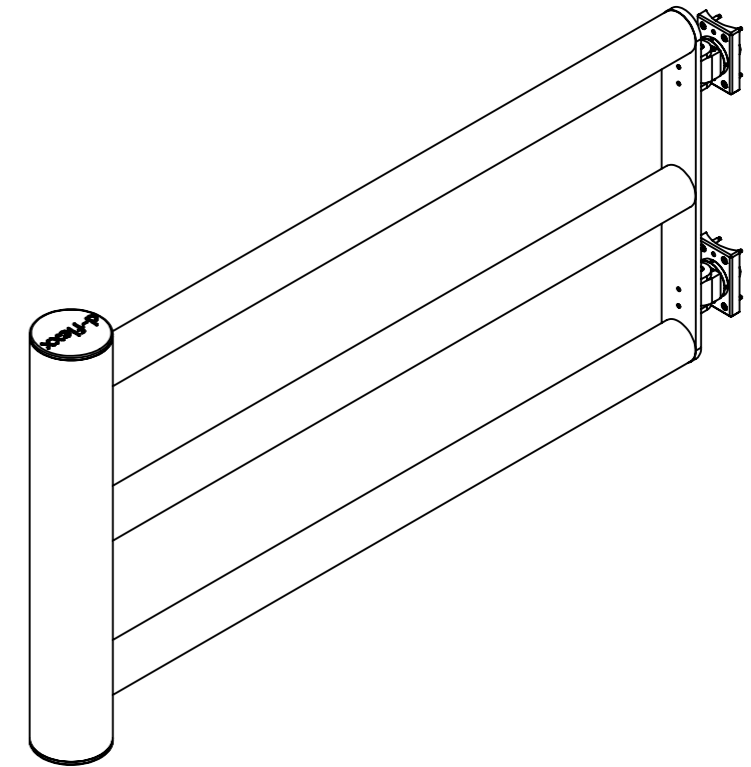
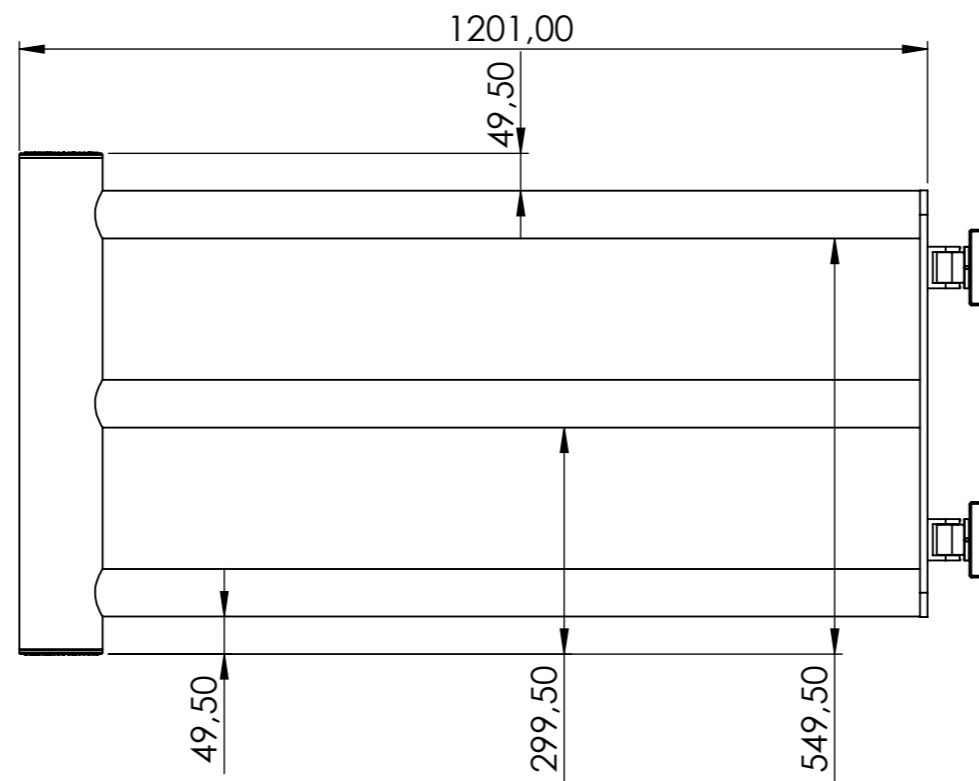
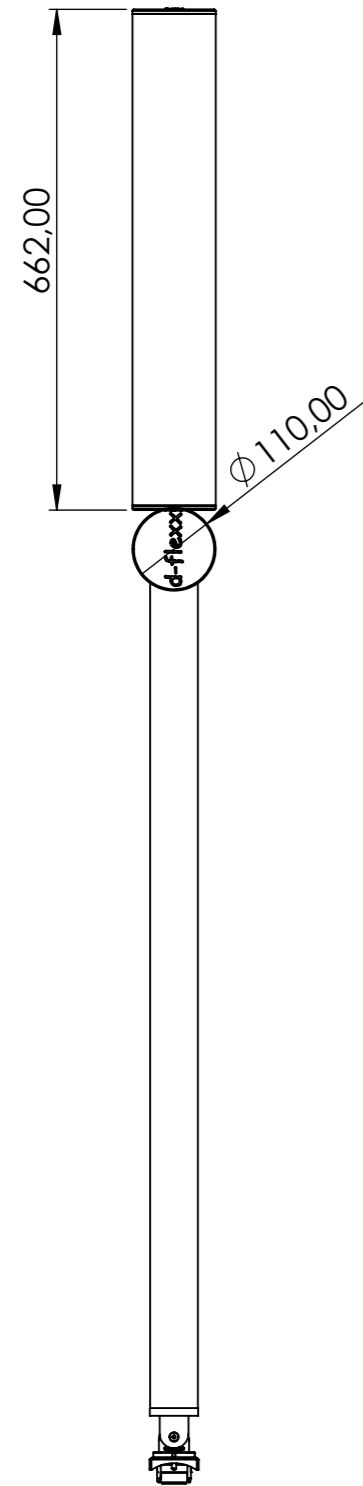
Minimum distance to next post: 20mm




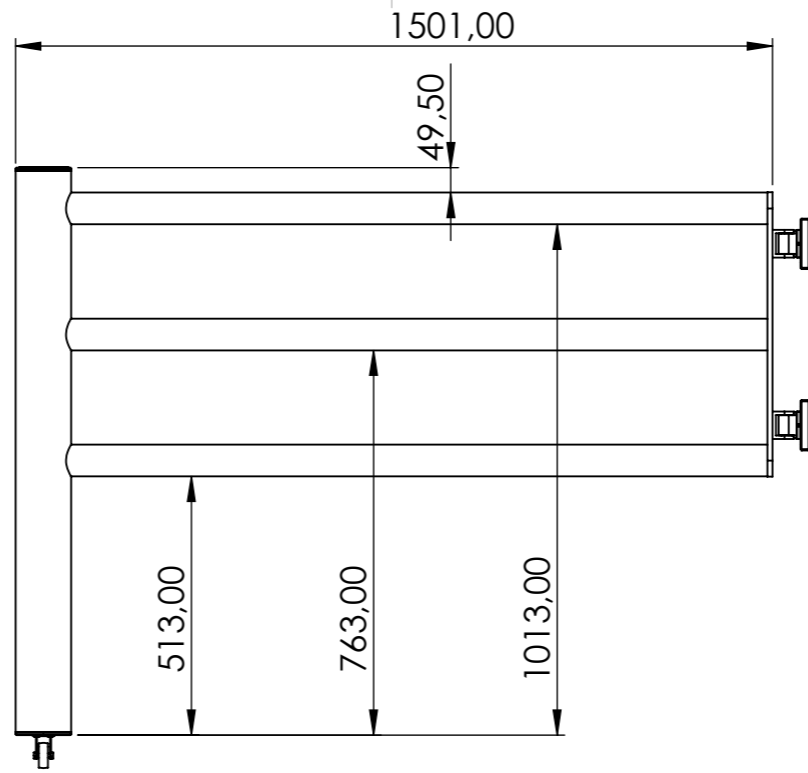
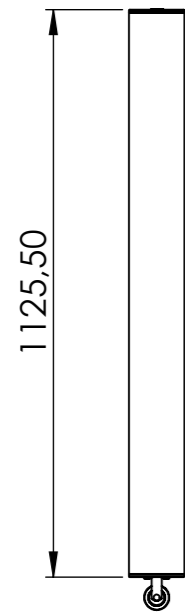
DESIGNER: Christian Poulsen	DATE: 04/01/2019	SCALE: 1:15	SIZE: A3
LAST SAVED BY: christian	LAST SAVED DATE: 22/02/2019		
	RAW MATERIAL:		
	TOLERANCES:		
	MATERIAL:		
	COLOR:		
	DRAWING NO.: DFJU-1500-2000		
TITLE:			SHEET 1 OF 1

All dimensions are in mm unless otherwise specified

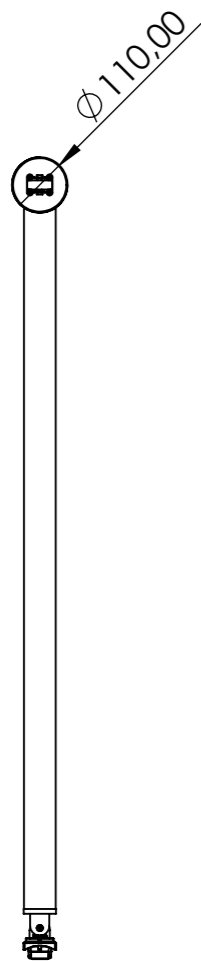
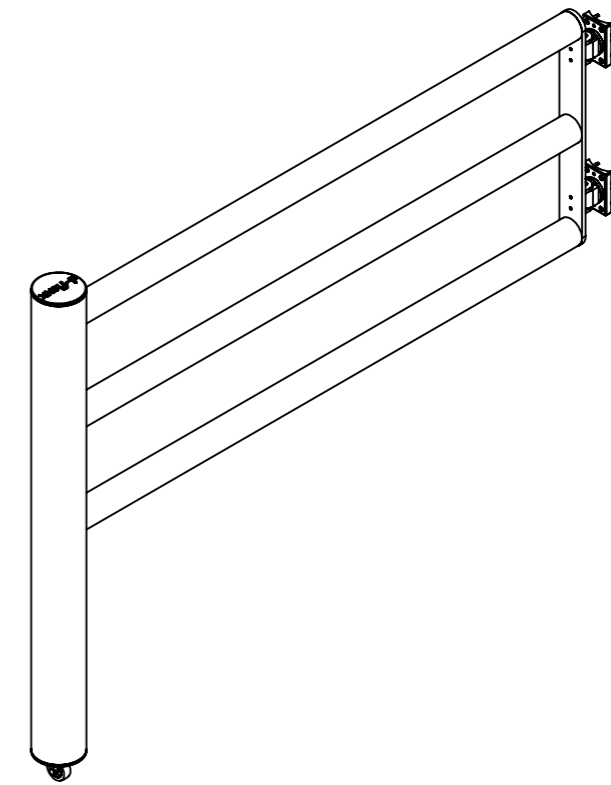
DFJU-DA1200




DESIGNER: Christian Poulsen	DATE: 08/02/2019	SCALE: 1:20	SIZE: A3
LAST SAVED BY: christian	LAST SAVED DATE: 15/02/2019		
	RAW MATERIAL:		
	TOLERANCES:		
	MATERIAL:		
	COLOR:		
	DRAWING NO.: DFJU-DA1200		
TITLE:			SHEET 1 OF 1

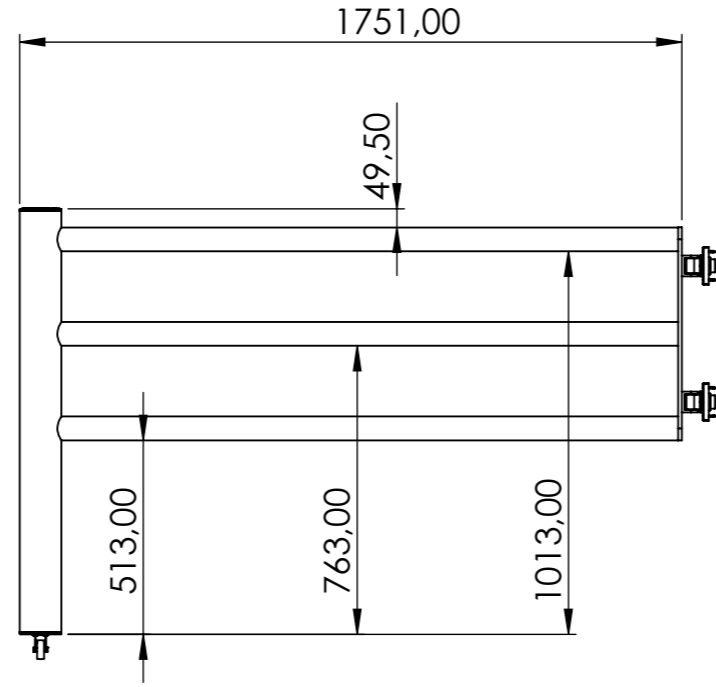
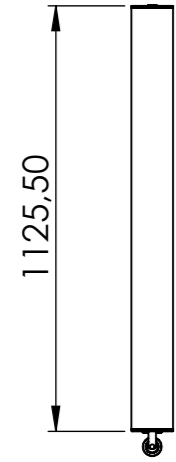


DFJU-DA1500

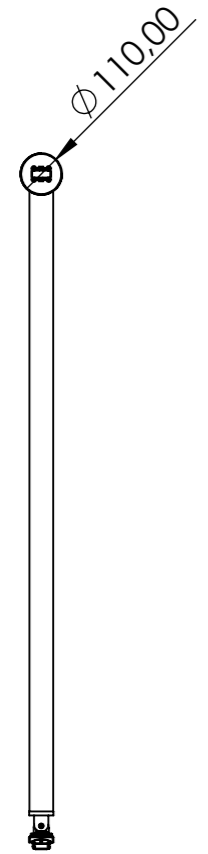
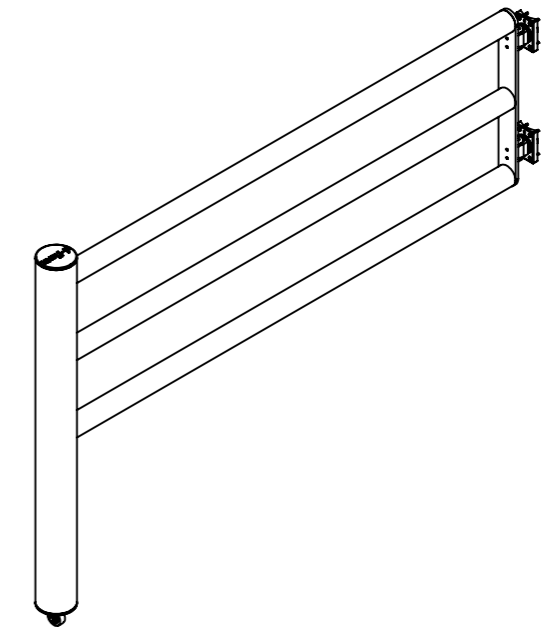


DESIGNER: Christian Poulsen	DATE: 08/02/2019	SCALE: 1:20	SIZE: A3
LAST SAVED BY: christian	LAST SAVED DATE: 15/02/2019		
	RAW MATERIAL:		
	TOLERANCES:		
	MATERIAL:		
	COLOR:		
	DRAWING NO.: DFJU-DA1500		
TITLE:			SHEET 1 OF 1

All dimensions are in mm unless otherwise specified

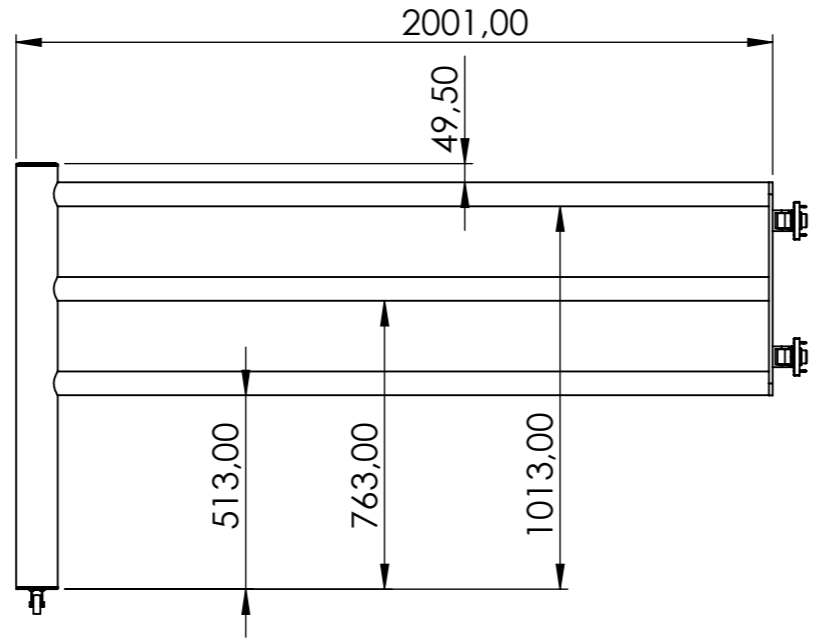
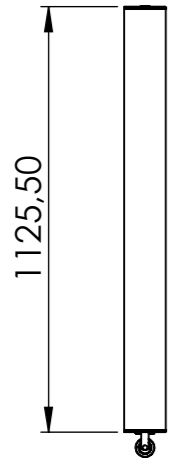


DFJU-DA1750

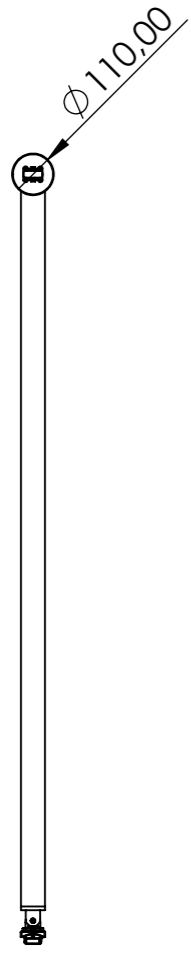
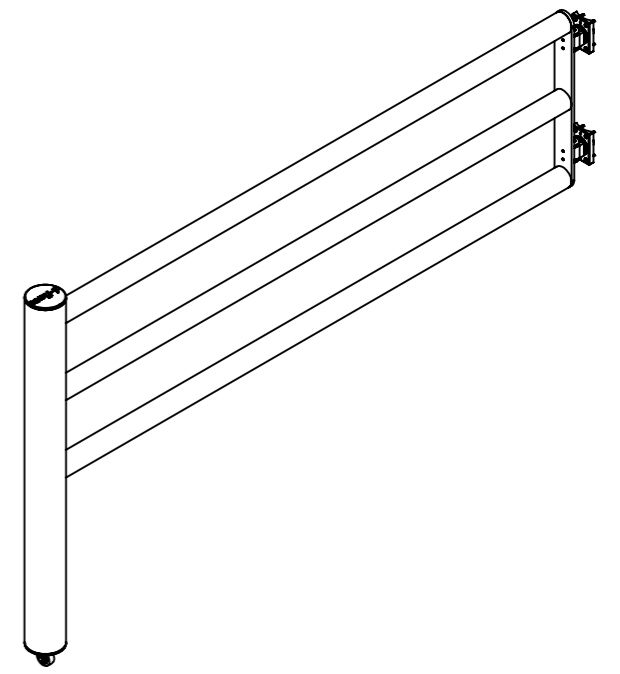



DESIGNER: Christian Poulsen	DATE: 08/02/2019	SCALE: 1:20	SIZE: A3
LAST SAVED BY: christian	LAST SAVED DATE: 15/02/2019		
	RAW MATERIAL:		
	TOLERANCES:		
	MATERIAL:		
	COLOR:		
	DRAWING NO.: DFJU-DA1750		
TITLE:			SHEET 1 OF 1

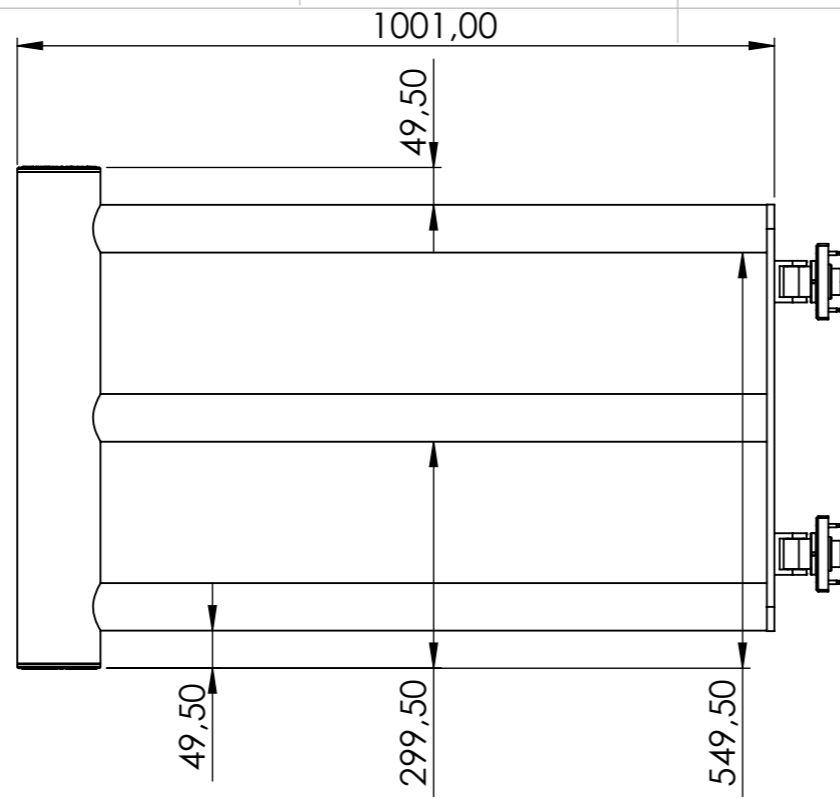
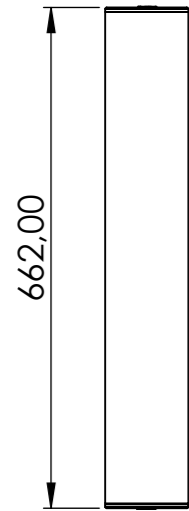
All dimensions are in mm unless otherwise specified



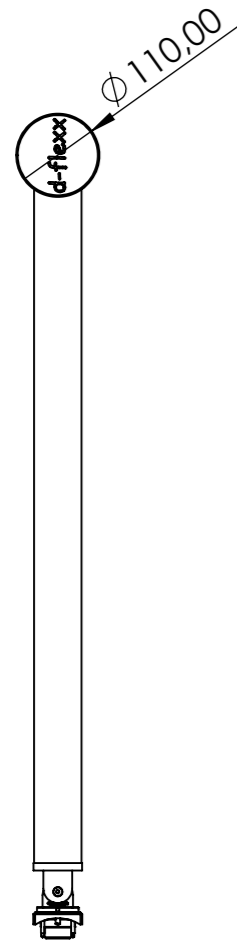
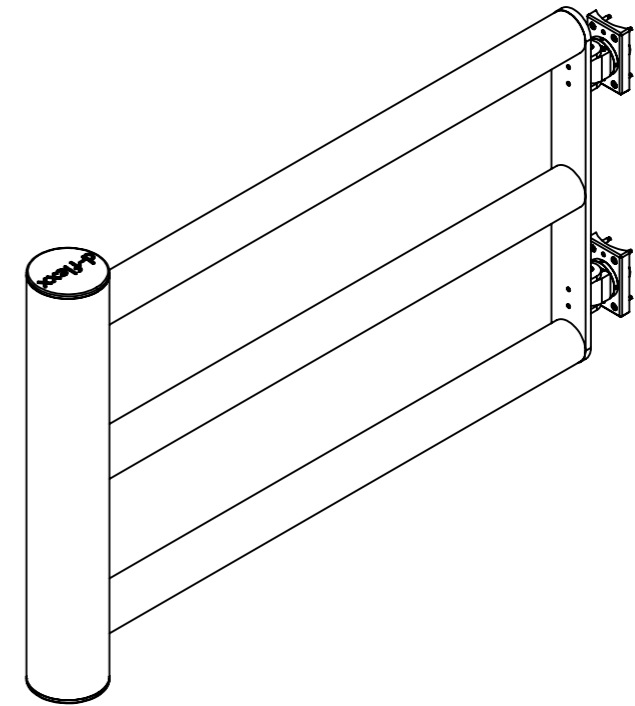
DFJU-DA2000




DESIGNER: Christian Poulsen	DATE: 08/02/2019	SCALE: 1:50	SIZE: A3
LAST SAVED BY: christian	LAST SAVED DATE: 15/02/2019		
	RAW MATERIAL:		
	TOLERANCES:		
	MATERIAL:		
	COLOR:		
	DRAWING NO.: DFJU-DA2000		
TITLE:			SHEET 1 OF 1

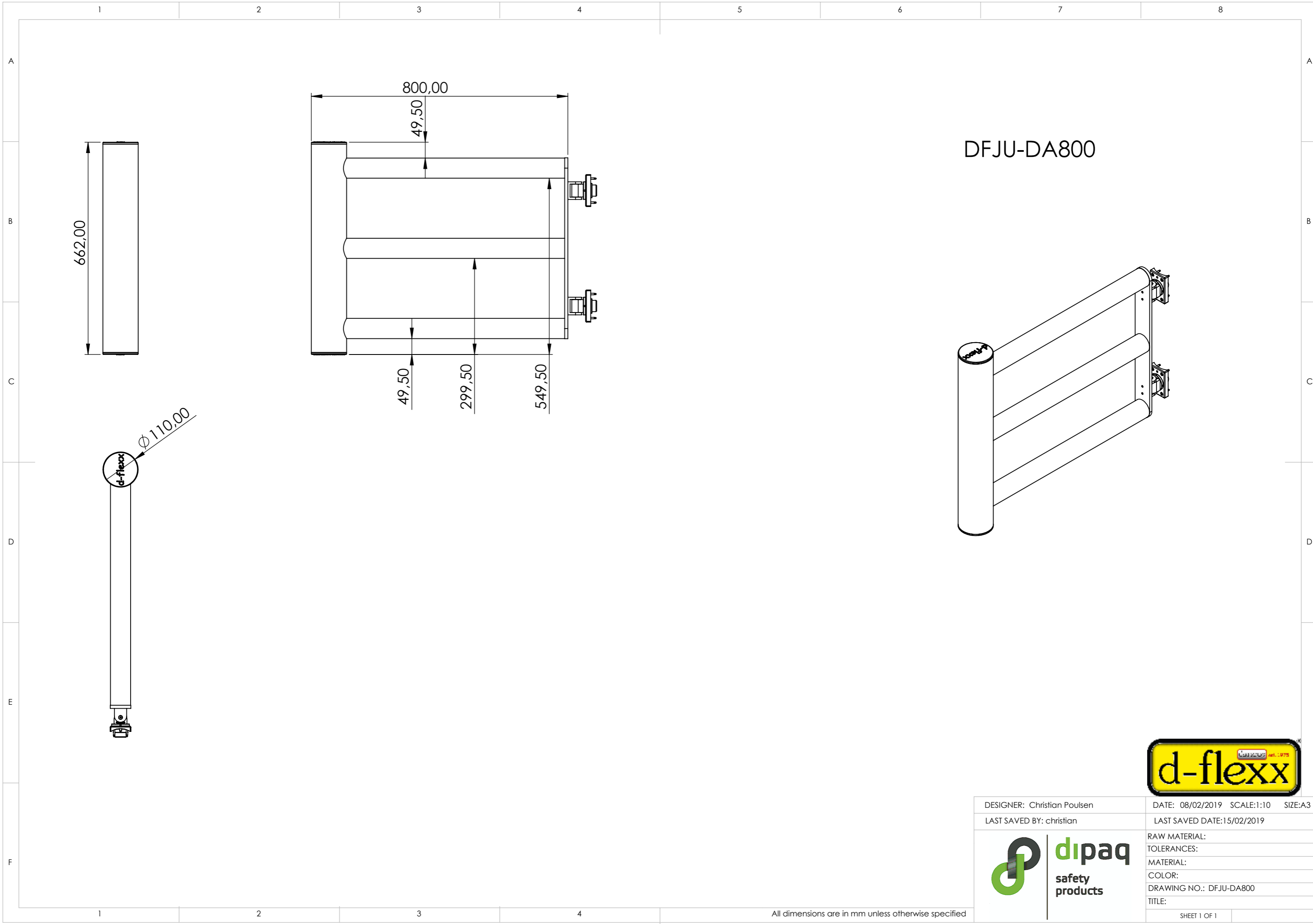


DFJU-DA1000




DESIGNER: Christian Poulsen	DATE: 08/02/2019	SCALE: 1:20	SIZE: A3
LAST SAVED BY: christian	LAST SAVED DATE: 15/02/2019		
	RAW MATERIAL:		
	TOLERANCES:		
	MATERIAL:		
	COLOR:		
	DRAWING NO.: DFJU-DA1000		
TITLE:			SHEET 1 OF 1

All dimensions are in mm unless otherwise specified

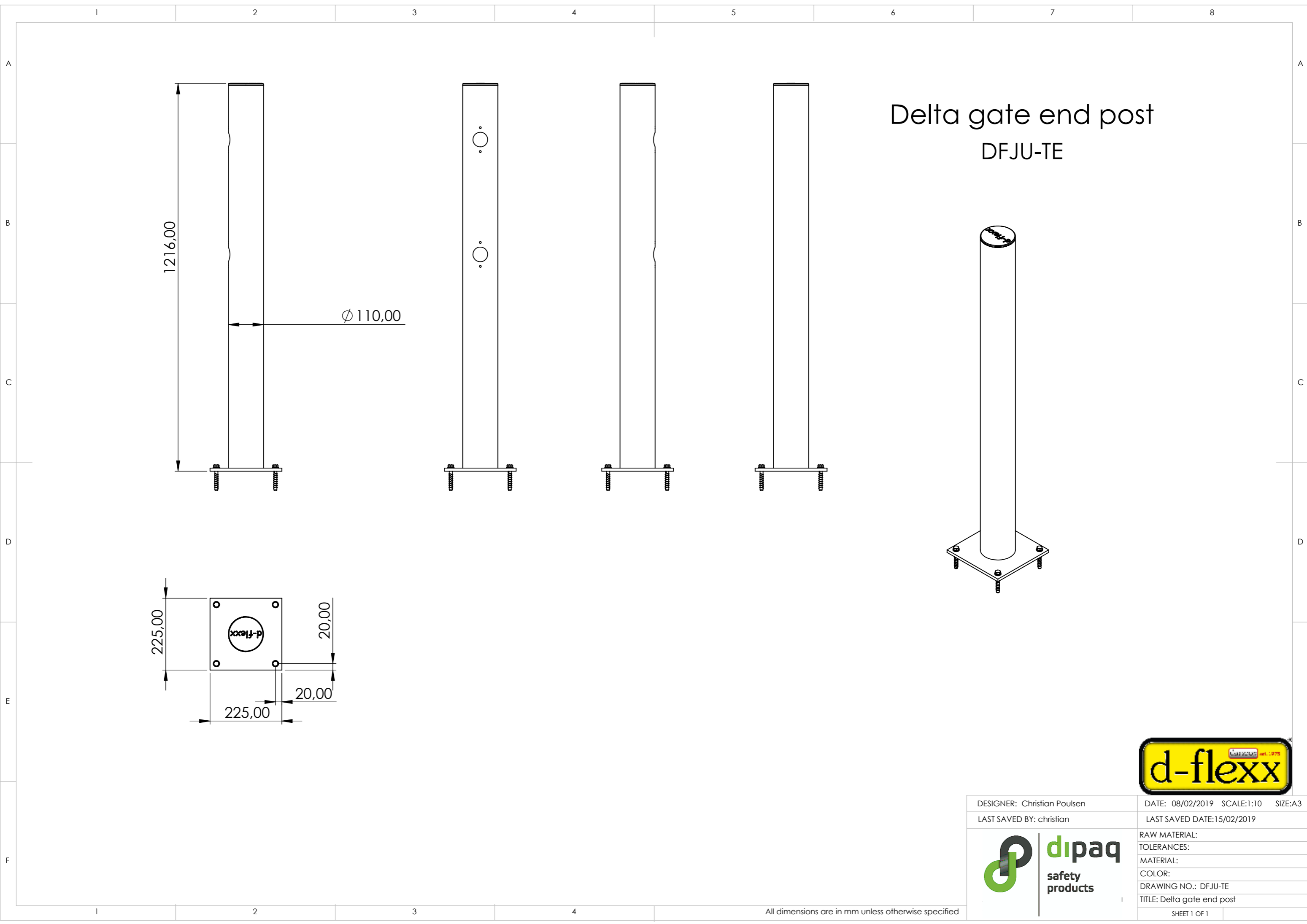


DFJU-DA800



DESIGNER: Christian Poulsen	DATE: 08/02/2019	SCALE: 1:10	SIZE: A3
LAST SAVED BY: christian	LAST SAVED DATE: 15/02/2019		
	RAW MATERIAL:		
	TOLERANCES:		
	MATERIAL:		
	COLOR:		
	DRAWING NO.: DFJU-DA800		
TITLE:			SHEET 1 OF 1

All dimensions are in mm unless otherwise specified



Delta gate end post
DFJU-TE

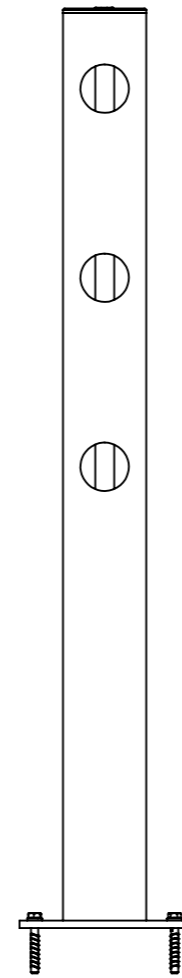
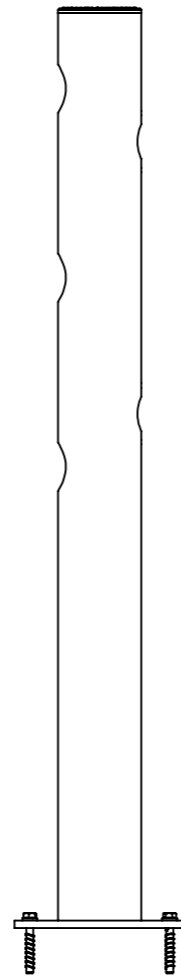
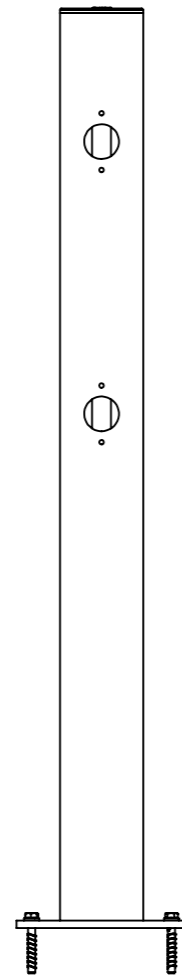
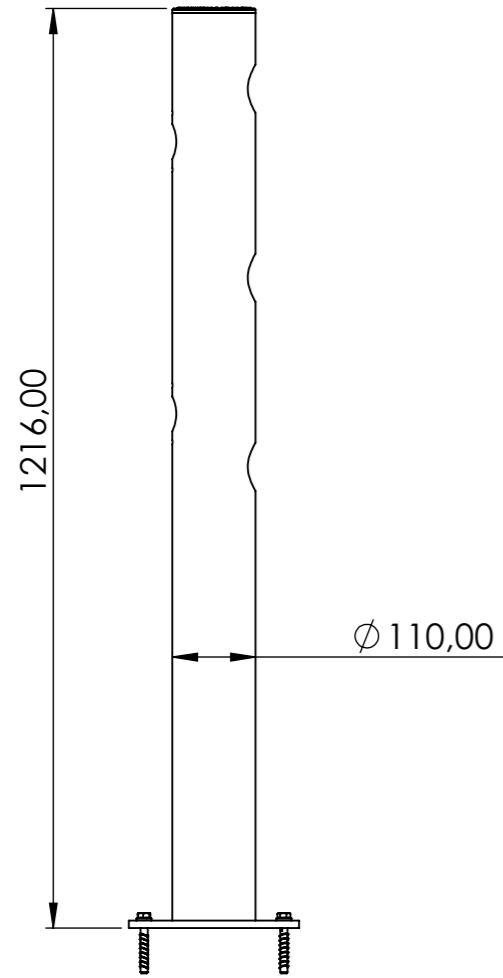
1216,00
 ϕ 110,00

225,00
 20,00
 20,00
 225,00

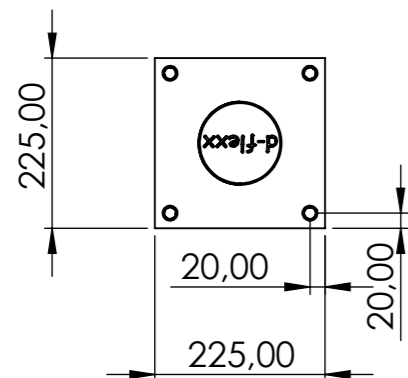
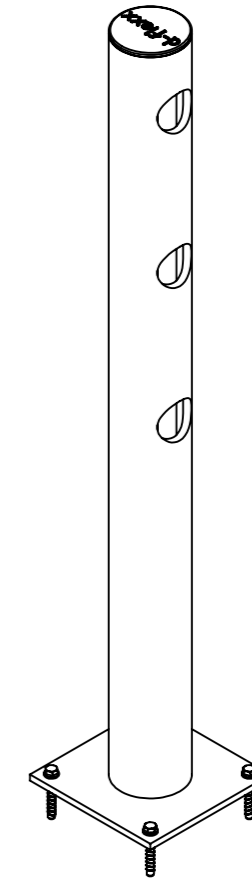


DESIGNER: Christian Poulsen	DATE: 08/02/2019	SCALE: 1:10	SIZE: A3
LAST SAVED BY: christian	LAST SAVED DATE: 15/02/2019		
	RAW MATERIAL:		
	TOLERANCES:		
	MATERIAL:		
	COLOR:		
	DRAWING NO.: DFJU-TE		
TITLE: Delta gate end post			
SHEET 1 OF 1			

All dimensions are in mm unless otherwise specified

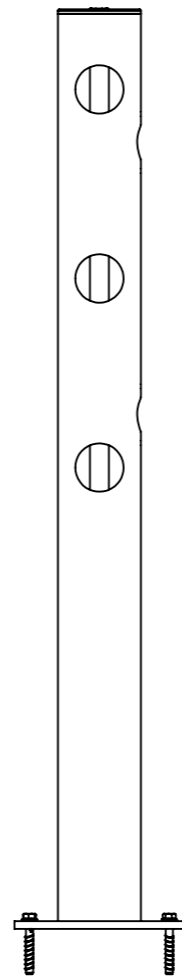
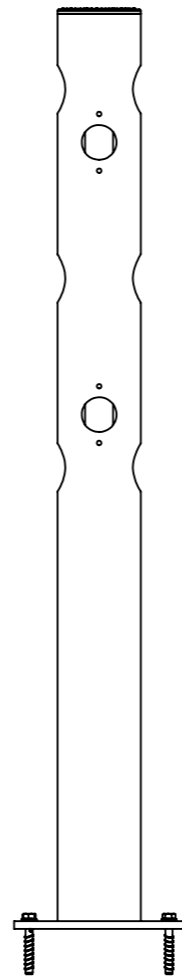
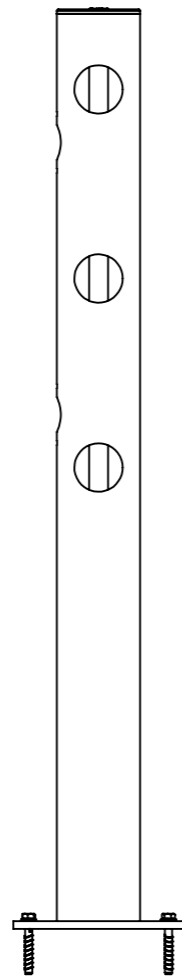
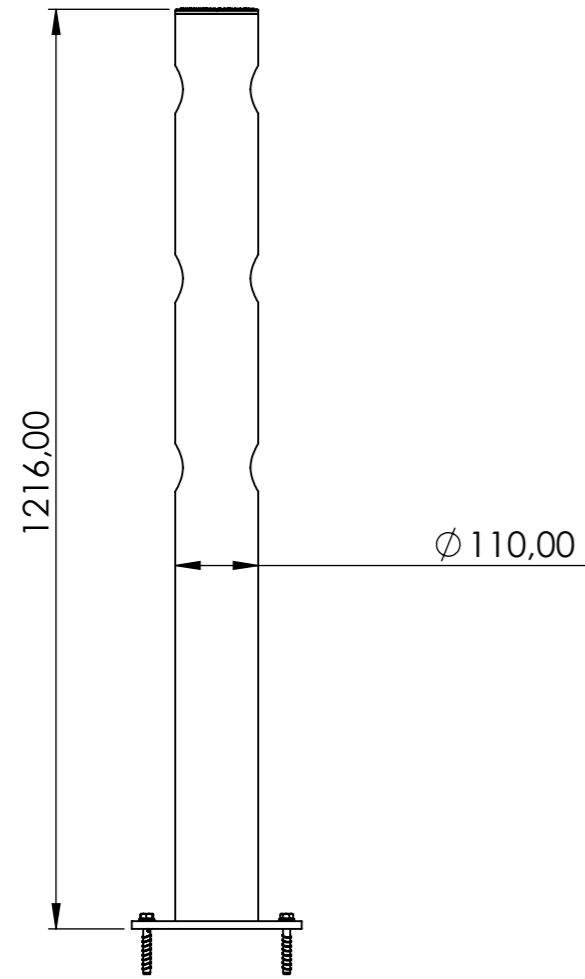


Delta gate middle post DFJU-TM

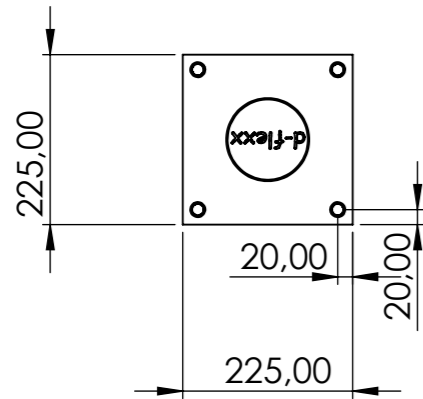
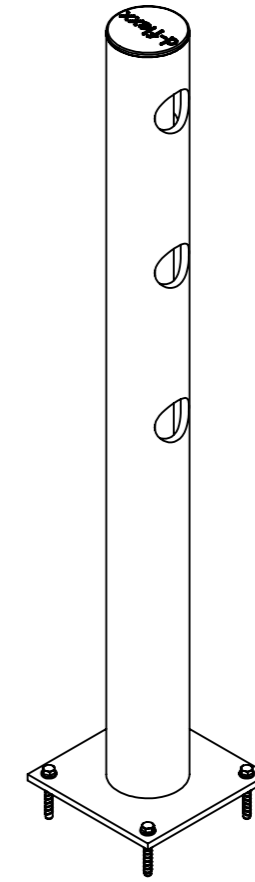



DESIGNER: Christian Poulsen	DATE: 08/02/2019	SCALE: 1:20	SIZE: A3
LAST SAVED BY: christian	LAST SAVED DATE: 15/02/2019		
	RAW MATERIAL:		
	TOLERANCES:		
	MATERIAL:		
	COLOR:		
	DRAWING NO.: DFJU-TM		
TITLE: Delta gate middle post			
SHEET 1 OF 1			

All dimensions are in mm unless otherwise specified

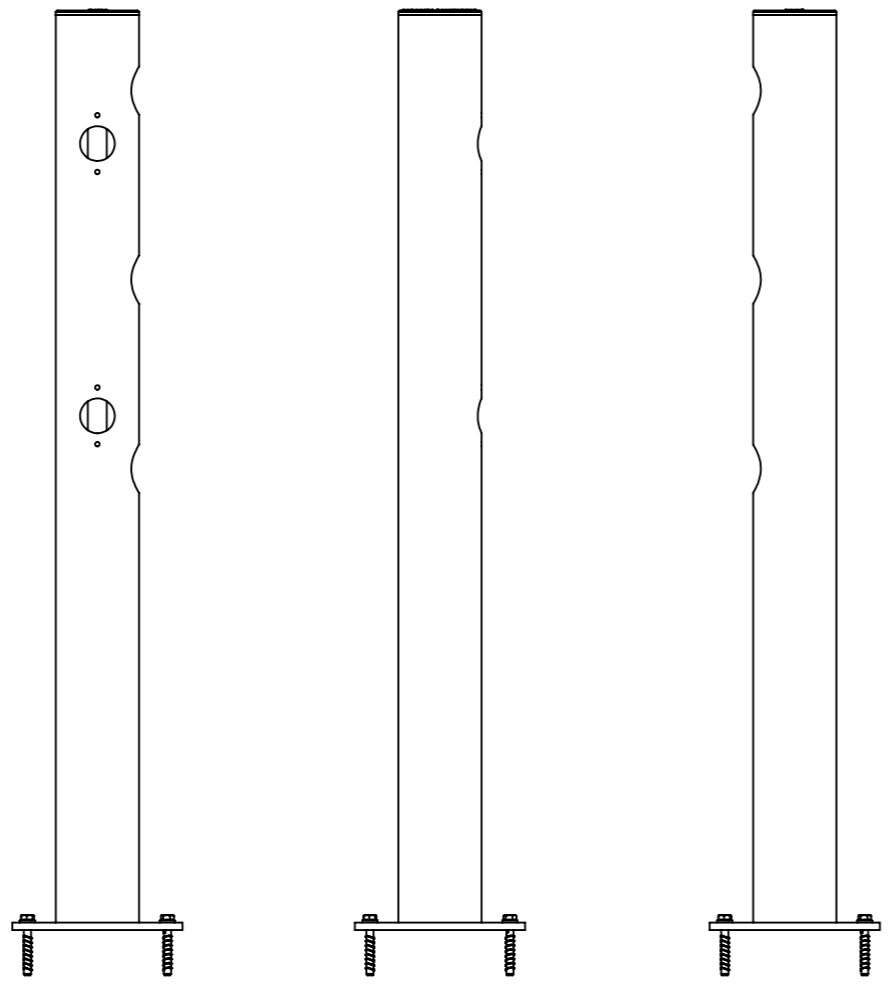
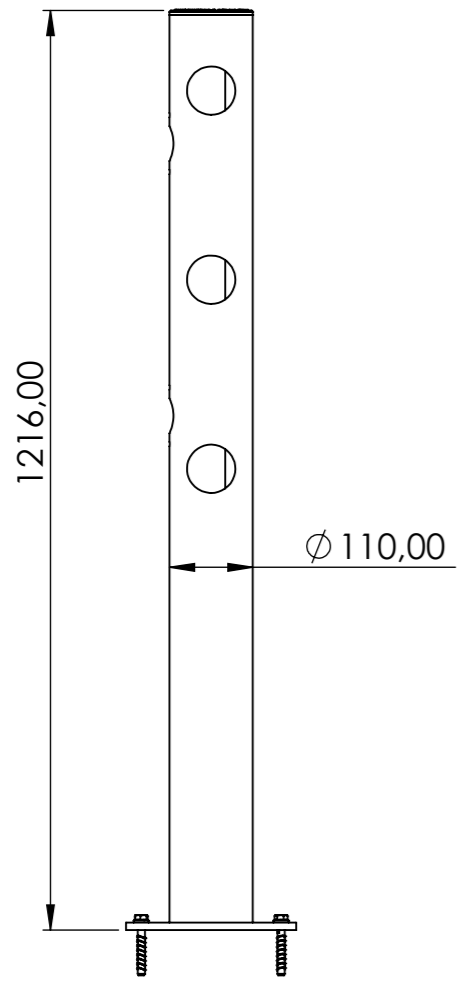


Delta gate T-post DFJU-TT



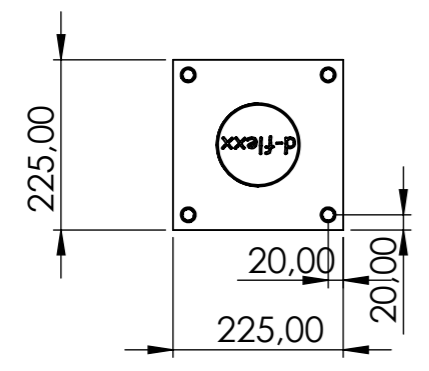
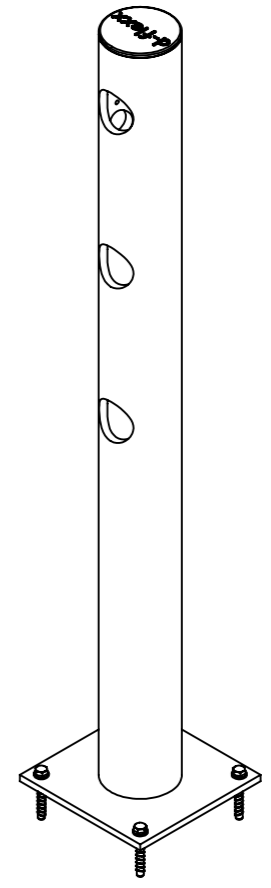
DESIGNER: Christian Poulsen	DATE: 08/02/2019	SCALE: 1:10	SIZE: A3
LAST SAVED BY: christian	LAST SAVED DATE: 15/02/2019		
	RAW MATERIAL:		
	TOLERANCES:		
	MATERIAL:		
	COLOR:		
	DRAWING NO.: DFJU-TT		
TITLE: Delta gate T-post			
SHEET 1 OF 1			


All dimensions are in mm unless otherwise specified



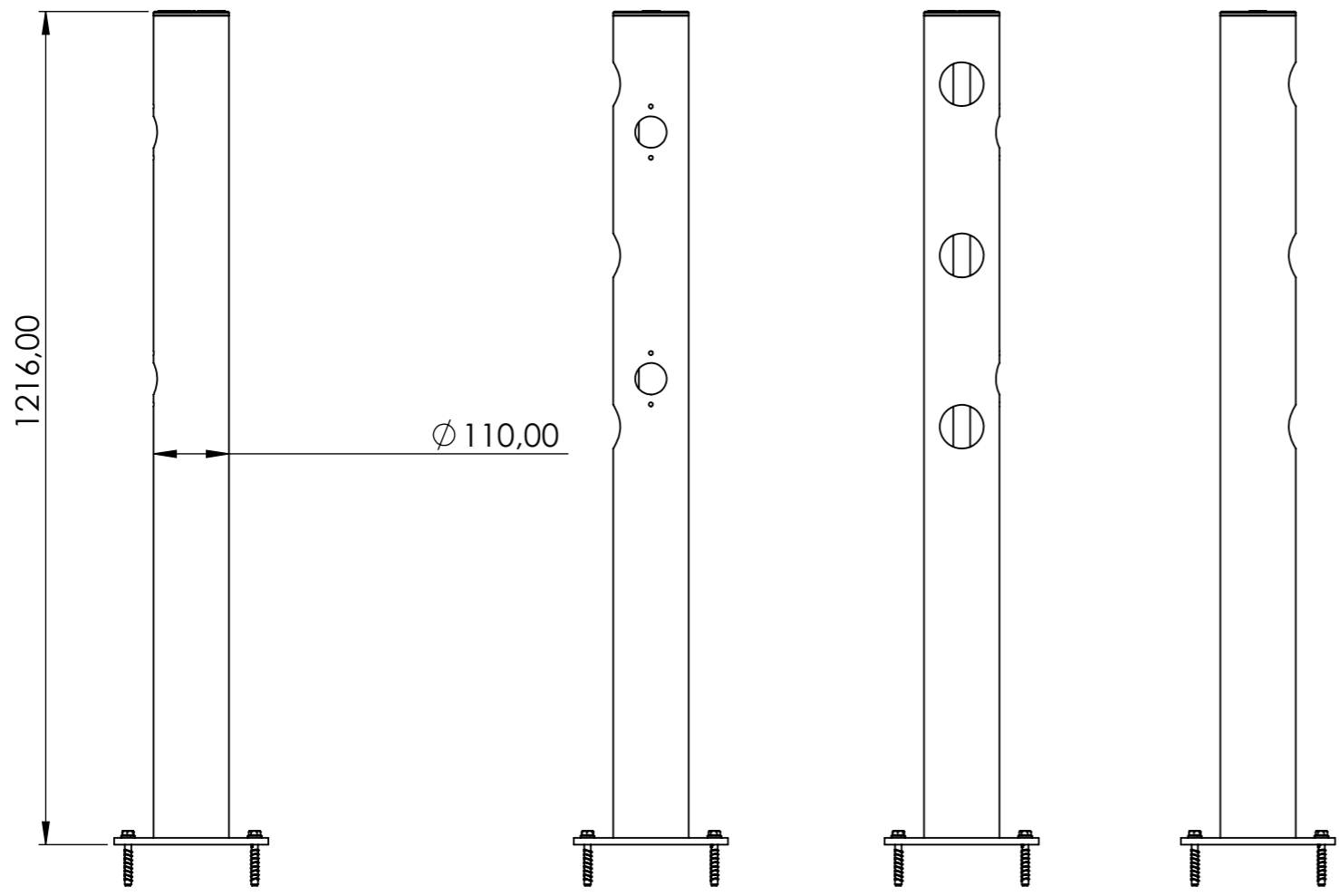
Delta gate 90 degree left post

DFJU-TW90L

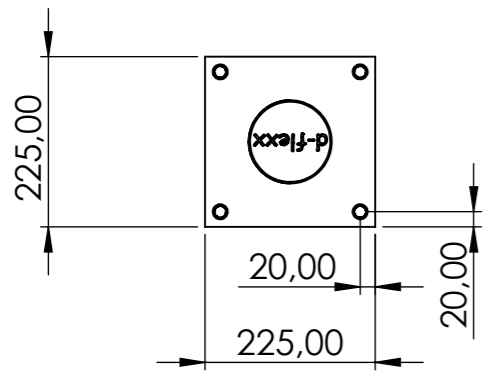
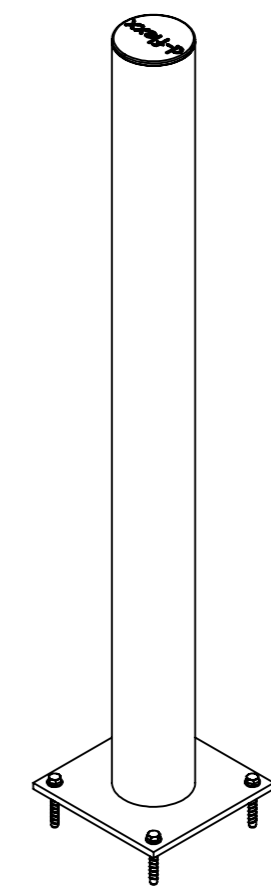



DESIGNER: Christian Poulsen	DATE: 08/02/2019	SCALE:1:10	SIZE:A3
LAST SAVED BY: christian	LAST SAVED DATE:15/02/2019		
	RAW MATERIAL:		
	TOLERANCES:		
	MATERIAL:		
	COLOR:		
	DRAWING NO.: DFJU-TW90L		
	TITLE: Delta gate 90 degree left post		
SHEET 1 OF 1			

All dimensions are in mm unless otherwise specified



Delta gate 90 degree right post DFJU-TW90R



DESIGNER: Christian Poulsen	DATE: 08/02/2019	SCALE: 1:10	SIZE: A3
LAST SAVED BY: christian	LAST SAVED DATE: 15/02/2019		
	RAW MATERIAL:		
	TOLERANCES:		
	MATERIAL:		
	COLOR:		
	DRAWING NO.: DFJU-TW90R		
TITLE: Delta gate 90 degree right post			
SHEET 1 OF 1			

All dimensions are in mm unless otherwise specified