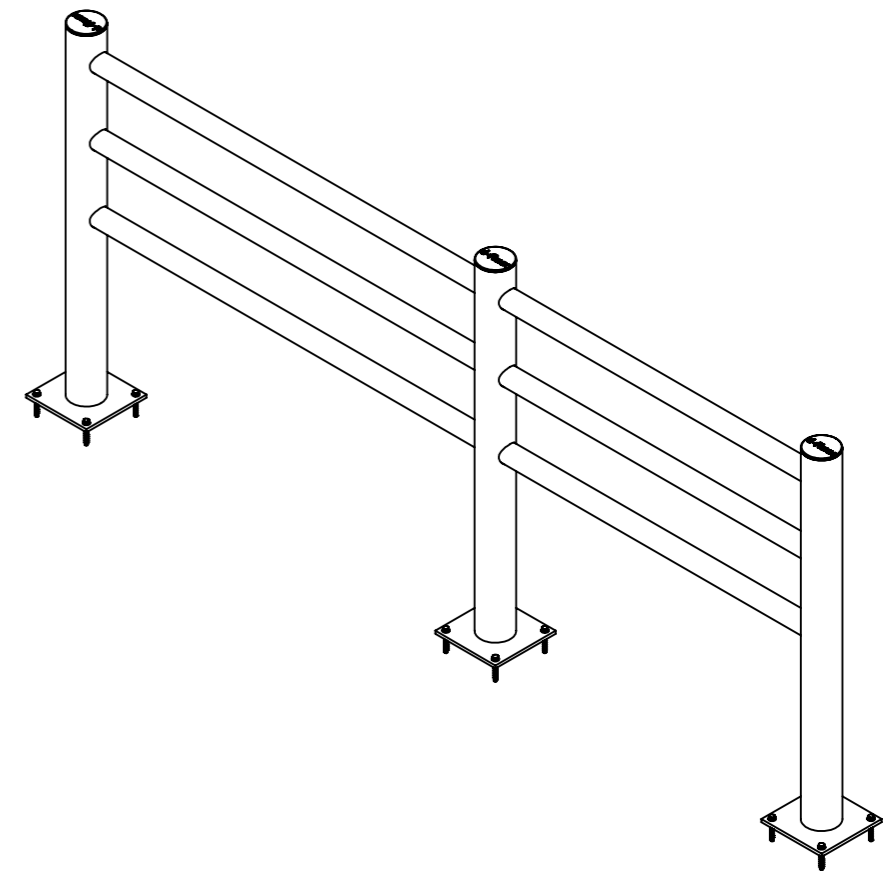
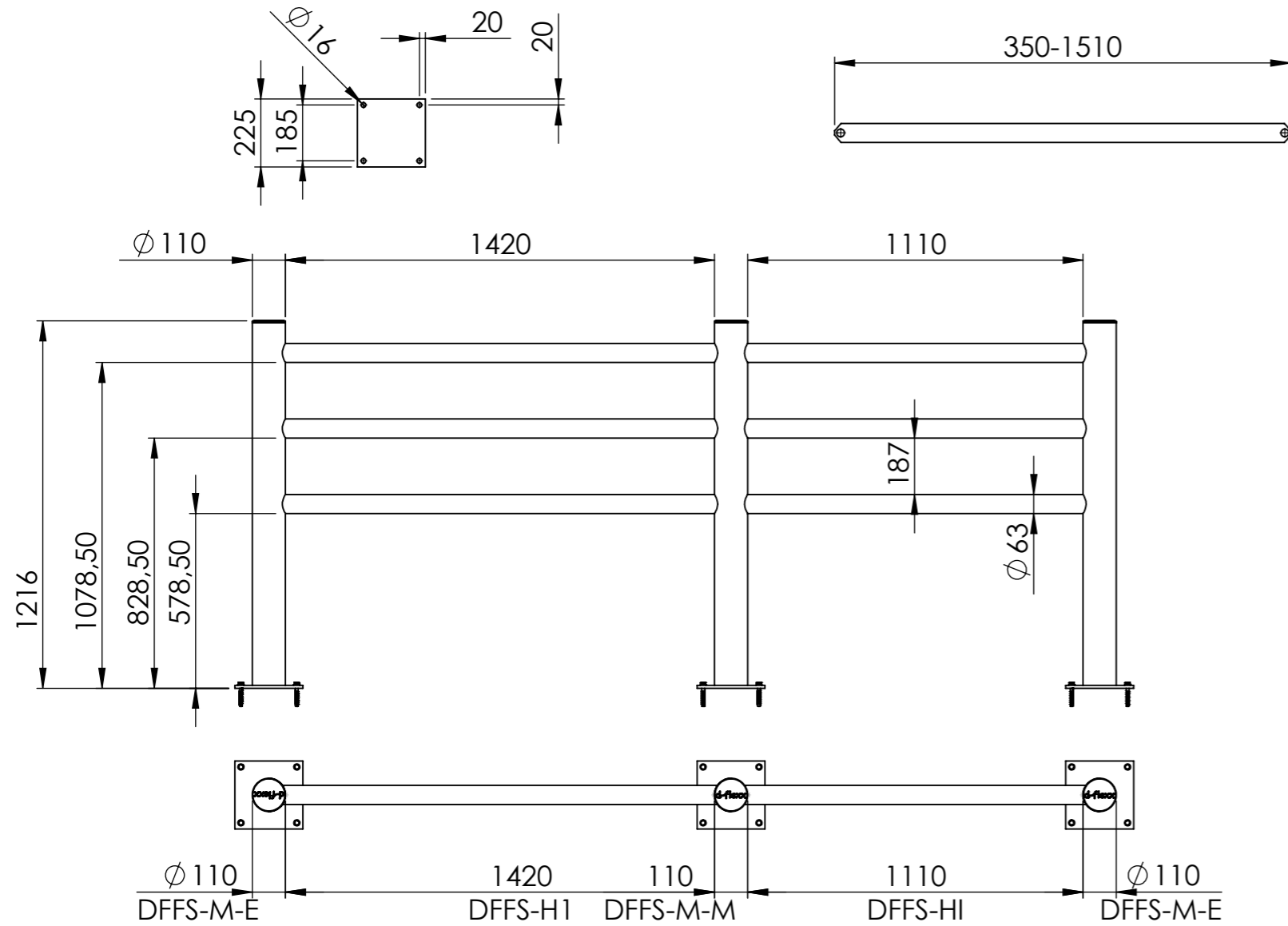


Delta 3 beam, 1200mm 72000_S



ITEM NO.	PART NUMBER	DESCRIPTION
1	75001	Fischer Ultracut FBS II
2	DFFS-H1	Standard Beam 1510 mm
3	DFFS-HI	Individual Beam 350-1510 mm
4	DFFS-M-E	End post
5	DFFS-M-K	Plus post
6	DFFS-M-T	T post
7	DFFS-M-W90	Corner post
8	DFFS-M-M	Middle post

All dimensions are in mm unless otherwise specified



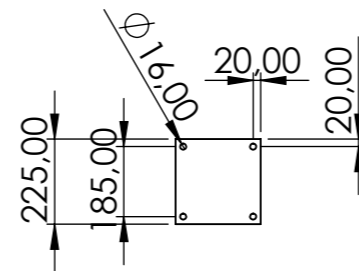
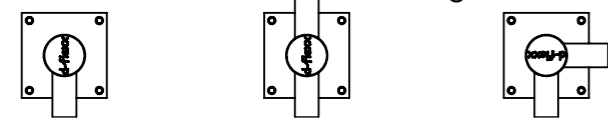
DESIGNER: Christian Poulsen DATE: 05/04/2018 SCALE:1:20 SIZE:A3

LAST SAVED BY: christian LAST SAVED DATE:15/02/2019

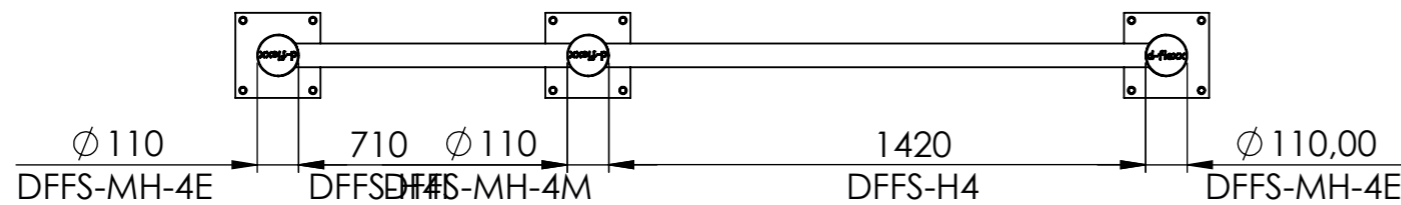
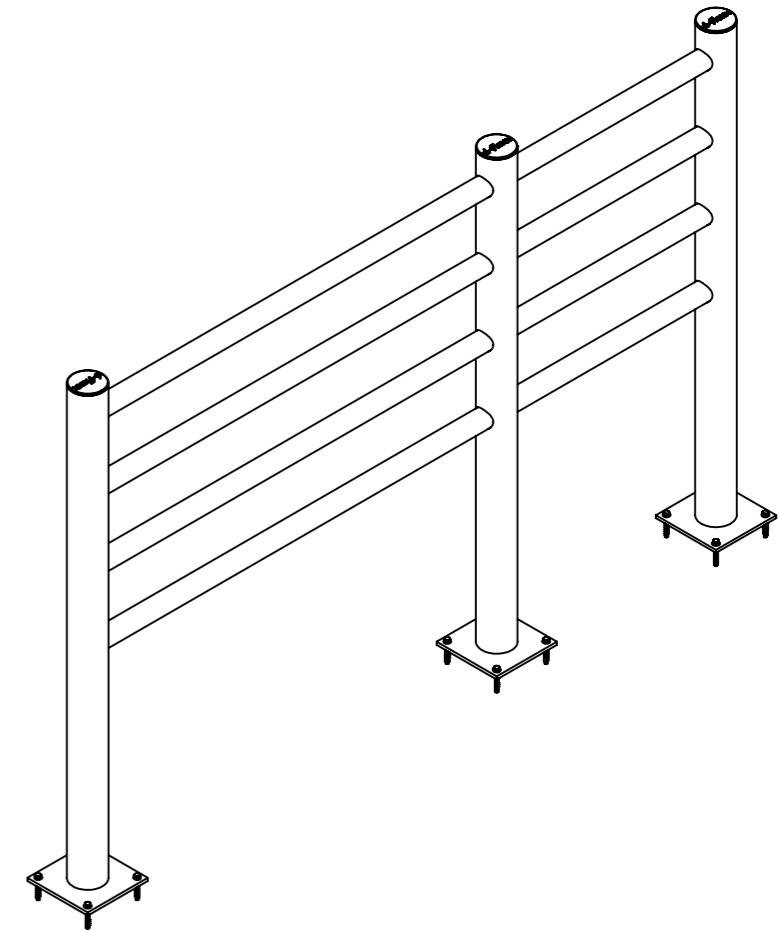
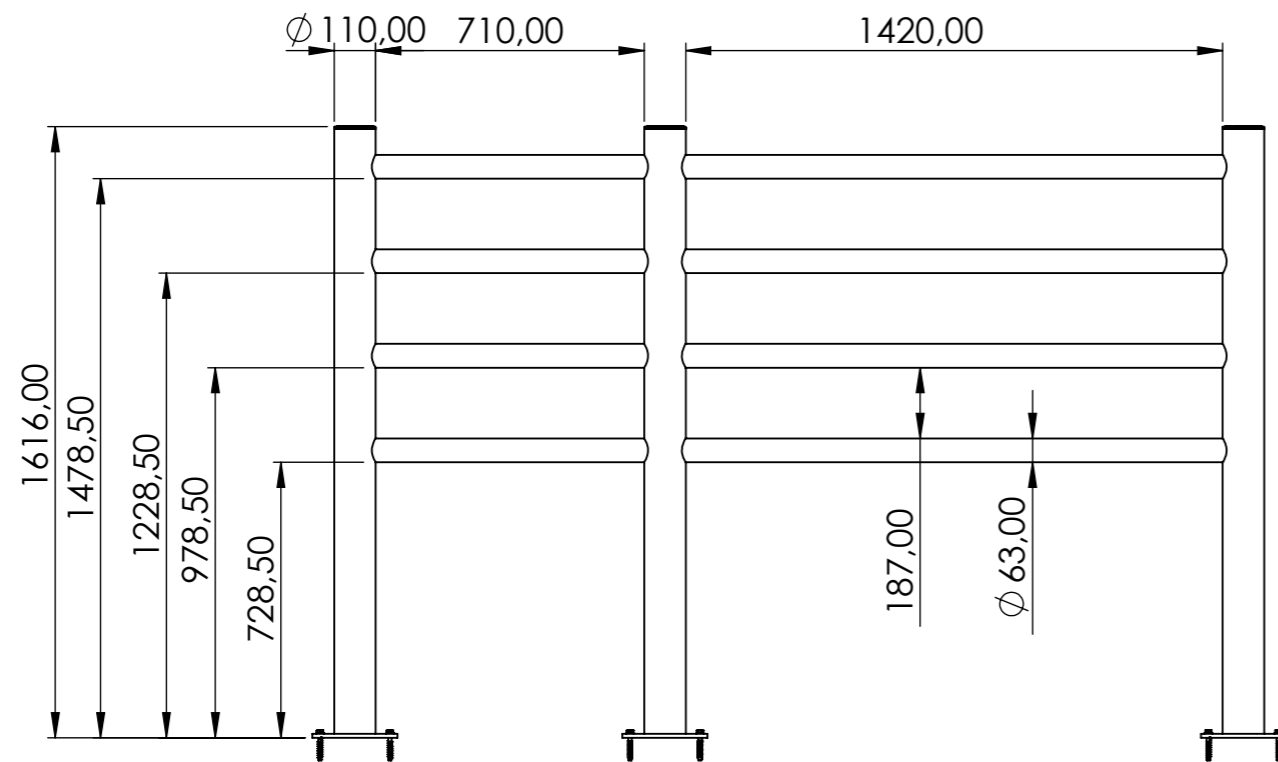
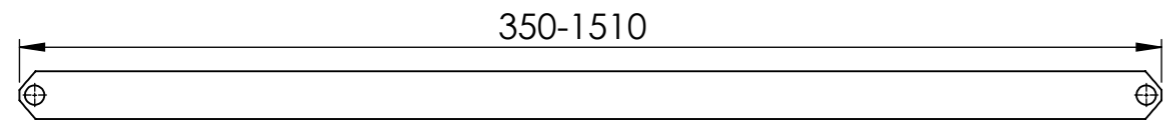


RAW MATERIAL:
TOLERANCES:
MATERIAL: PE
COLOR: Black & Yellow
DRAWING NO.: 72000_S
TITLE: Delta 3 beam, 1200mm

SHEET 1 OF 1



Delta 4 beam, 1600mm 72100



ITEM NO.	PART NUMBER	DESCRIPTION	QTY.
1	DFFS-M1600-4E	End post 1616 mm	1
2	DFFS-M1600-4M	Middle post 1616 mm	1
3	DFFS-M1600-4W90	Corner post 1616mm	1
4	DFFS-H4I	Individual Beam 350-1510 mm	1
5	DFFS-H4	Standard Beam 1510 mm	1

All dimensions are in mm unless otherwise specified



DESIGNER: Christian Poulsen DATE: 12/09/2018 SCALE:1:20 SIZE:A3

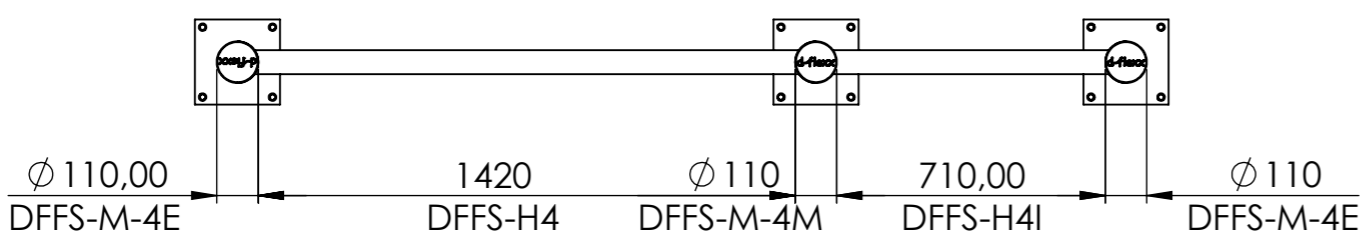
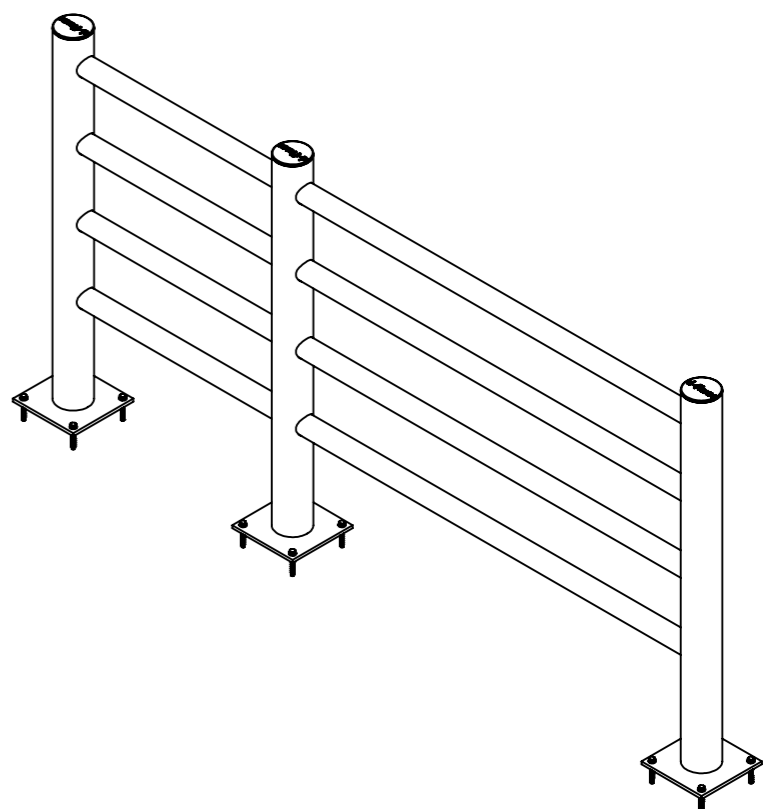
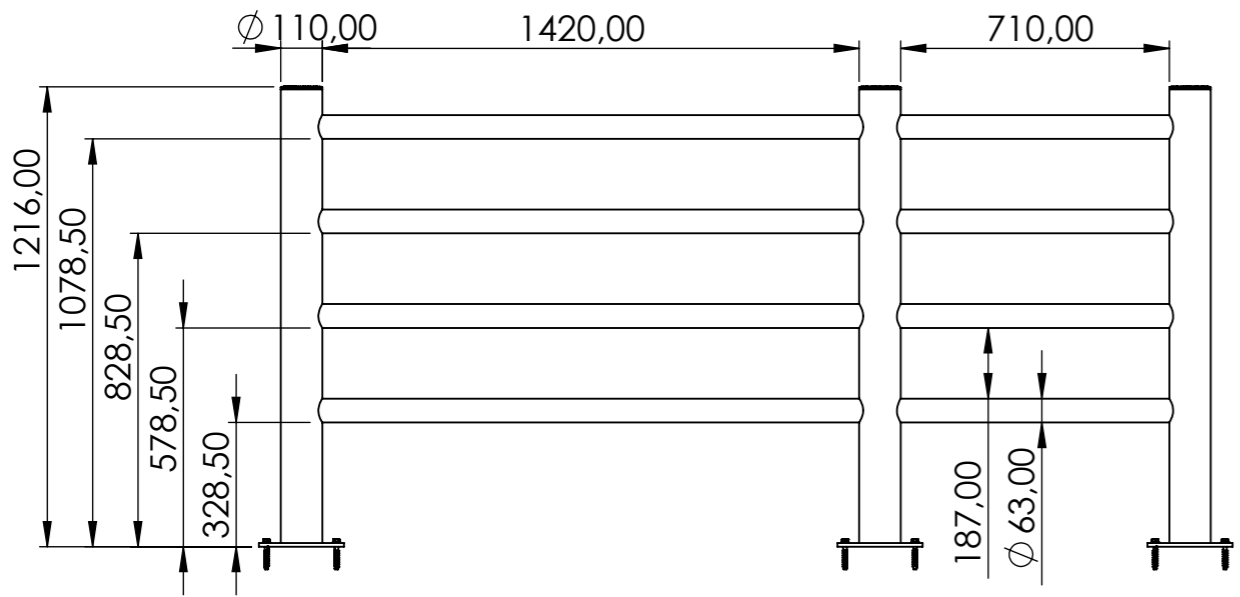
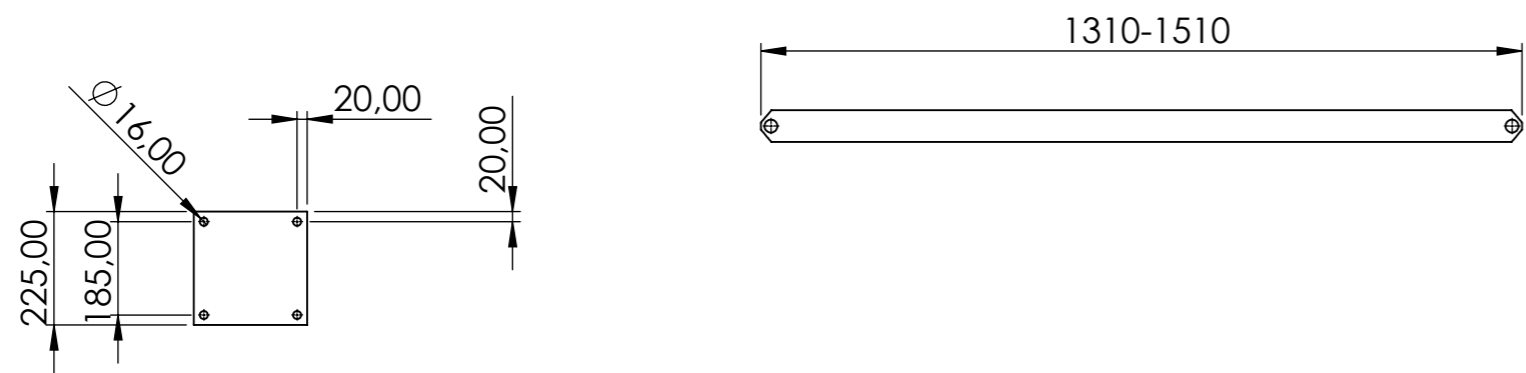
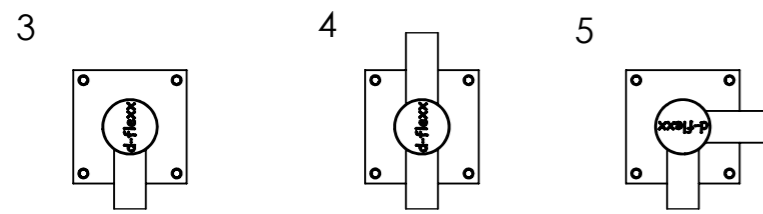
LAST SAVED BY: christian LAST SAVED DATE:15/02/2019



RAW MATERIAL:
TOLERANCES:
MATERIAL: PE
COLOR: Black & Yellow
DRAWING NO.: 72100
TITLE: Delta 4 beam, 1600mm

SHEET 1 OF 1

Delta 4 beam, 1200mm 72200



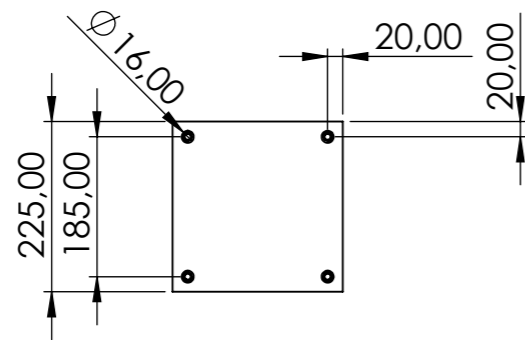
ITEM NO.	PART NUMBER	DESCRIPTION	QTY.
1	DFFS-H4I	Individual Beam 350-1510 mm	1
2	DFFS-H4	Standard Beam 1510 mm	1
3	DFFS-M-4E	End post - 4 Beams	1
4	DFFS-M-4M	Middle post - 4 Beams	1
5	DFFS-M-4W90	Corner post - 4 Beams	1
6	75001	Fischer Ultracut FBS II	1



DESIGNER: Christian Poulsen DATE: 18/09/2018 SCALE:1:15 SIZE:A3
 LAST SAVED BY: christian LAST SAVED DATE:15/02/2019

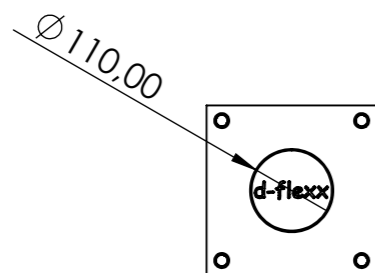
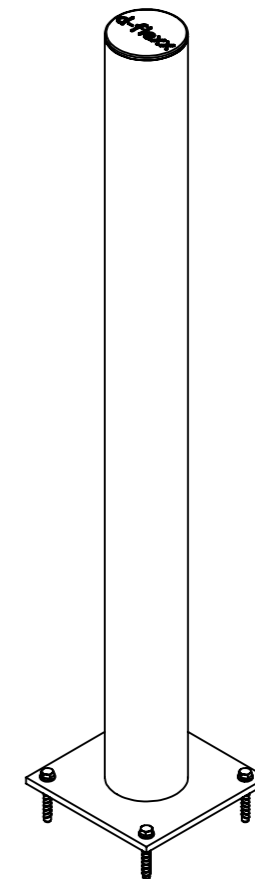
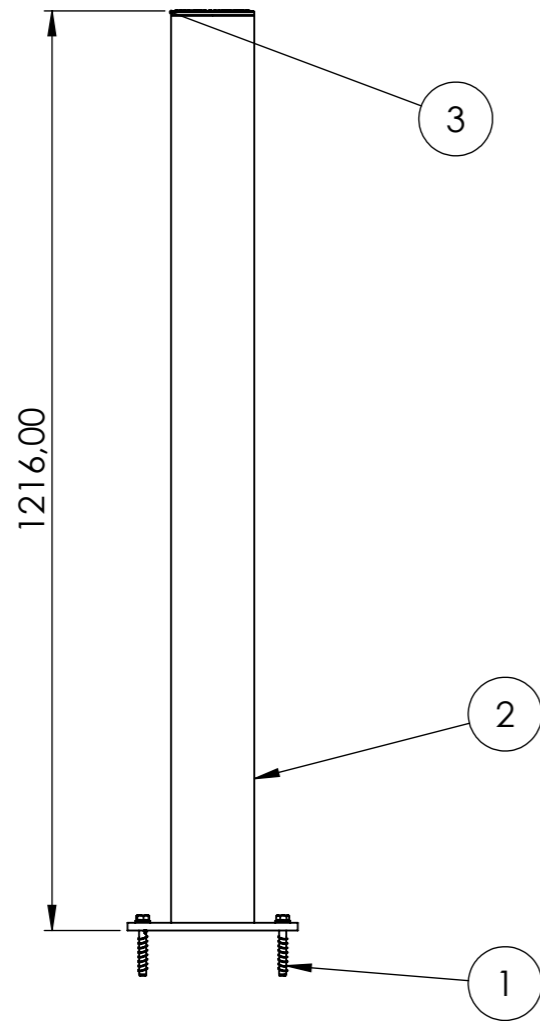


RAW MATERIAL:
 TOLERANCES:
 MATERIAL: PE
 COLOR: Black & Yellow
 DRAWING NO.: 72200
 TITLE: Delta 4 beam, 1200mm



Delta bollard

DFFS-B110



ITEM NO.	PART NUMBER	DESCRIPTION	Default/ QTY.
1	75001	Fischer Ultracut FBS II	4
2	72311	Ø110 x 1200 pipe with foot and cap	1
3	76011	Ø110 Black cap	1

DESIGNER: Christian Poulsen
LAST SAVED BY: christian

DATE: 18/09/2018 SCALE:1:15 SIZE:A3
LAST SAVED DATE:15/02/2019

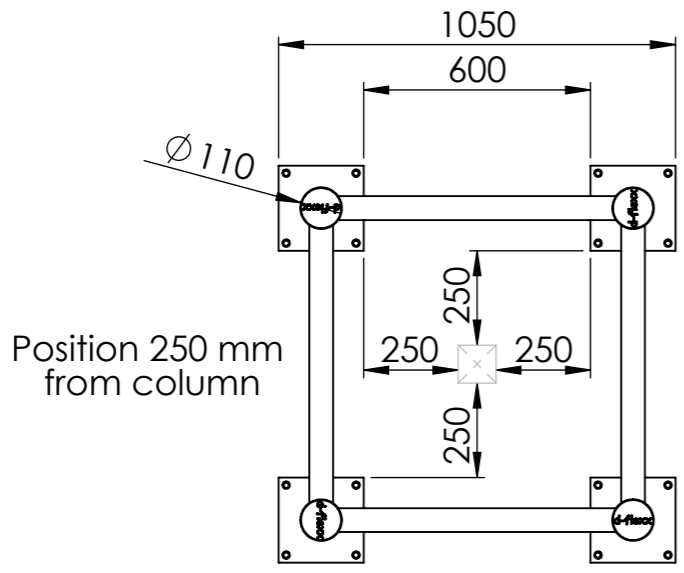
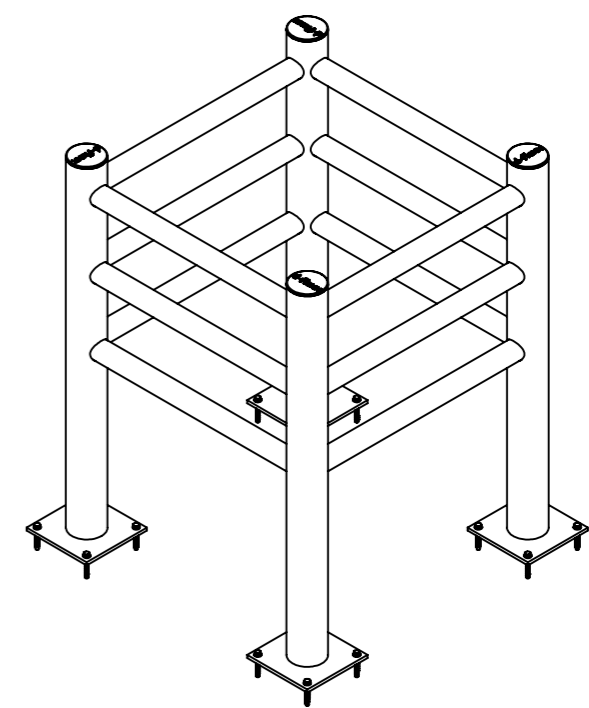
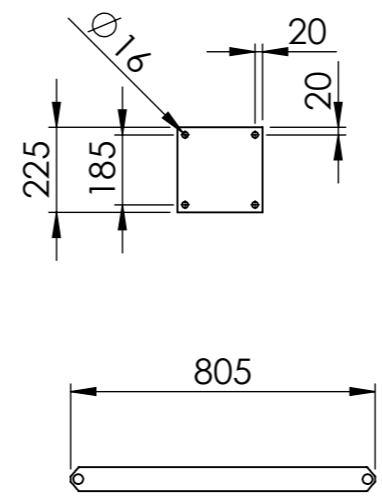
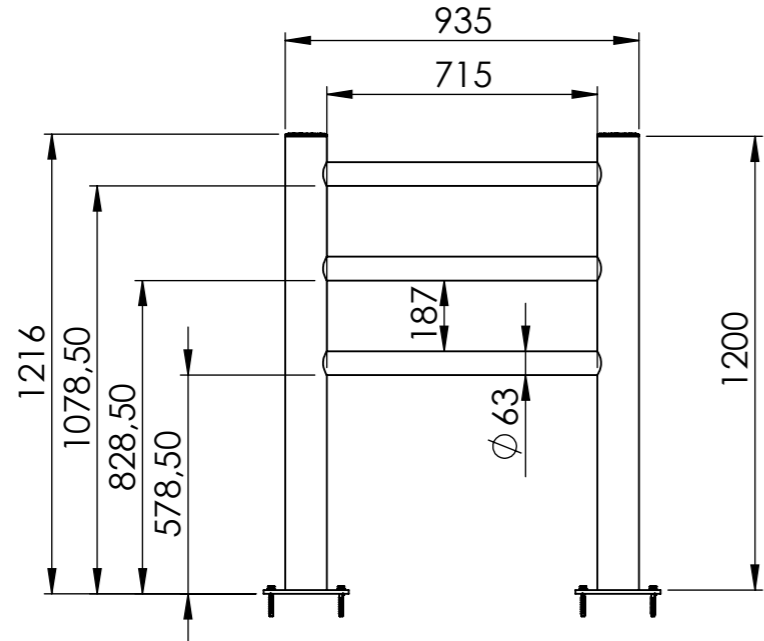


RAW MATERIAL:
TOLERANCES:
MATERIAL: PE
COLOR: Black
DRAWING NO.: DFFS-B110
TITLE: Delta bollard

All dimensions are in mm unless otherwise specified

Delta columns protector 500mm

DFFS-C2-600



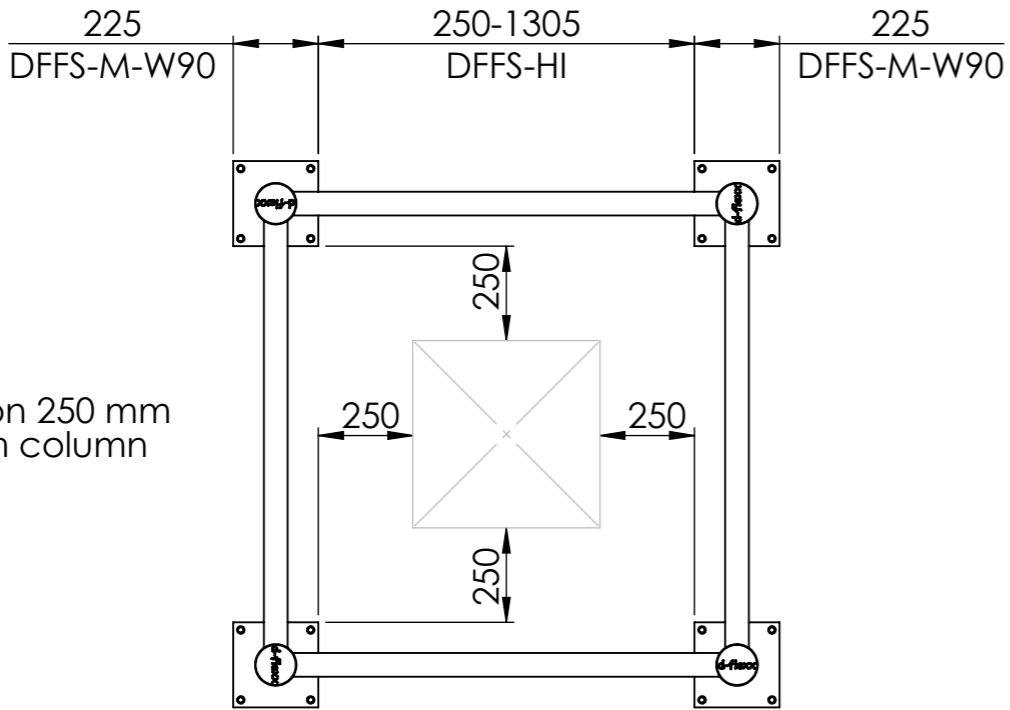
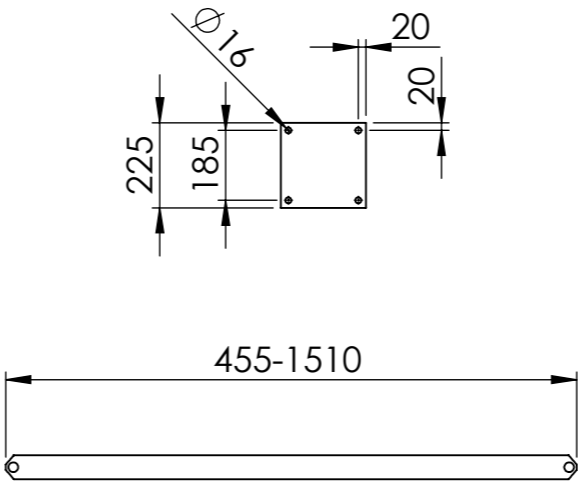
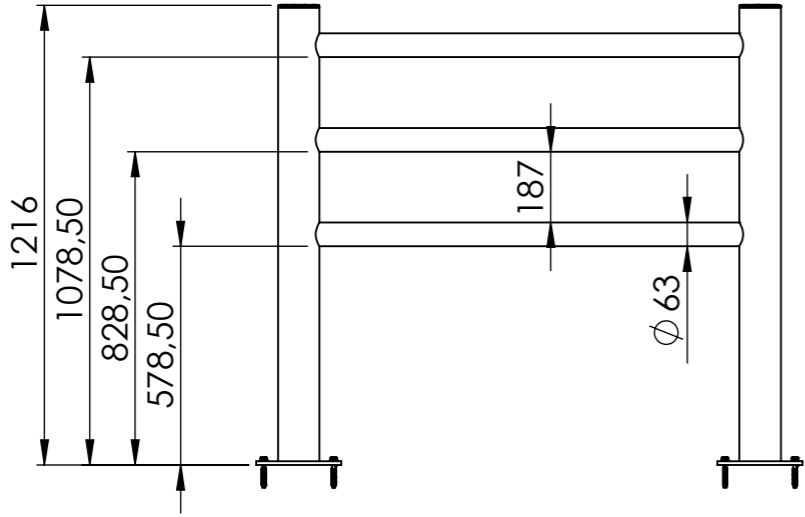
ITEM NO.	PART NUMBER	DESCRIPTION	QTY.
1	DFFS-M-W90	Corner post	4
2	DFFS-H805	Standard beam set 805 mm	4

DESIGNER: Christian Poulsen	DATE: 04/05/2018	SCALE: 1:20	SIZE: A3
LAST SAVED BY: christian	LAST SAVED DATE: 19/02/2019		
	RAW MATERIAL:		
	TOLERANCES:		
	MATERIAL:		
	COLOR:		
	DRAWING NO.: DFFS-C2-600		
TITLE: Delta columns protector 500mm			
SHEET 1 OF 1			

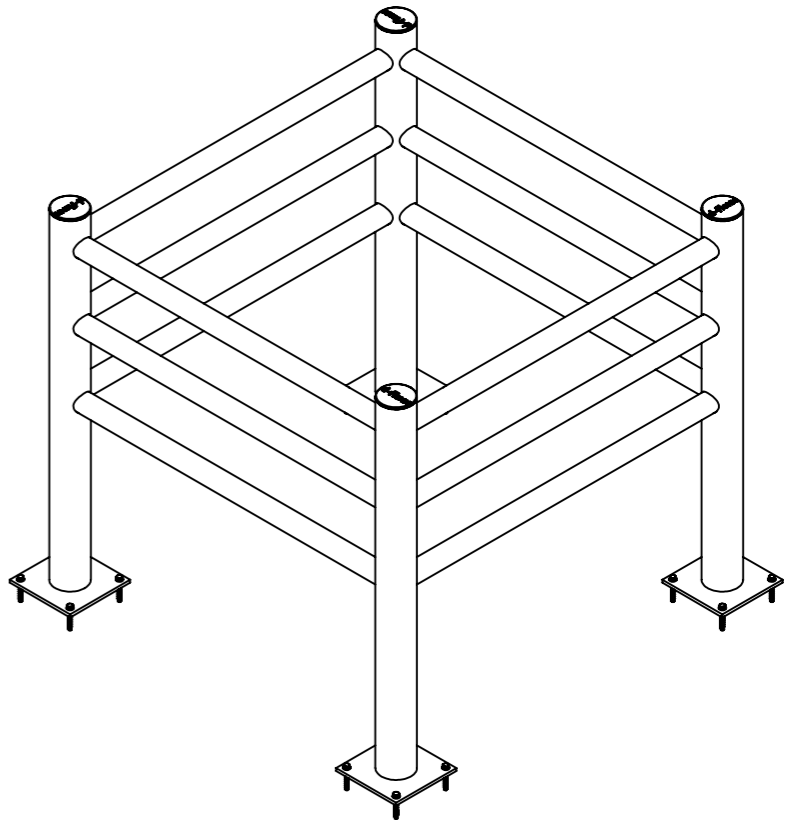
All dimensions are in mm unless otherwise specified

Delta columns protector Individual

DFFS-CI



Position 250 mm from column

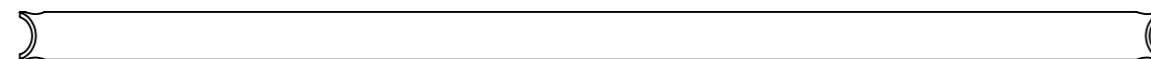
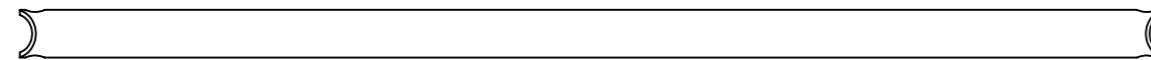
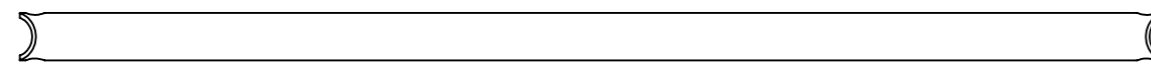
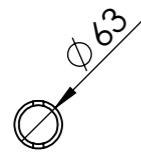
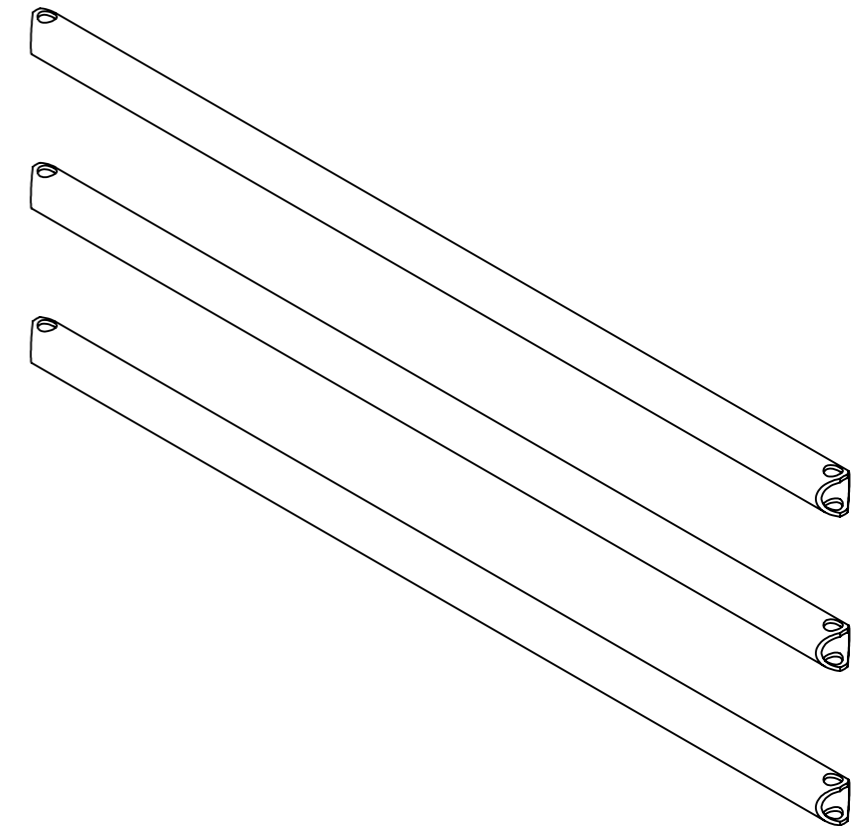
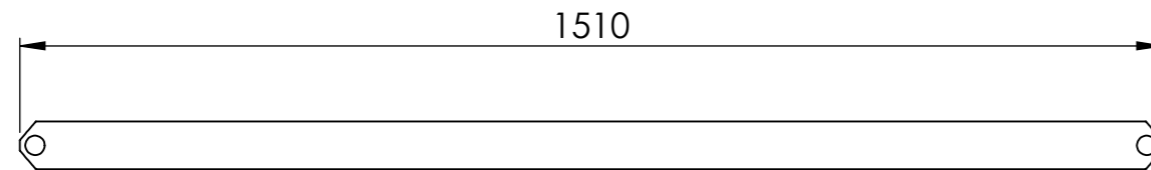


ITEM NO.	PART NUMBER	DESCRIPTION	QTY.
1	DFFS-M-W90	Corner post	4
2	DFFS-HI	Individual Beam 350-1510 mm	4

All dimensions are in mm unless otherwise specified

DESIGNER: Christian Poulsen	DATE: 04/05/2018	SCALE: 1:20	SIZE: A3
LAST SAVED BY: christian	LAST SAVED DATE: 18/02/2019		
	RAW MATERIAL:		
	TOLERANCES:		
	MATERIAL:		
	COLOR:		
	DRAWING NO.: DFFS-CI		
TITLE: Delta columns protector Individual			
SHEET 1 OF 1			

3 pcs standard beam set 1510mm DFFS-H1

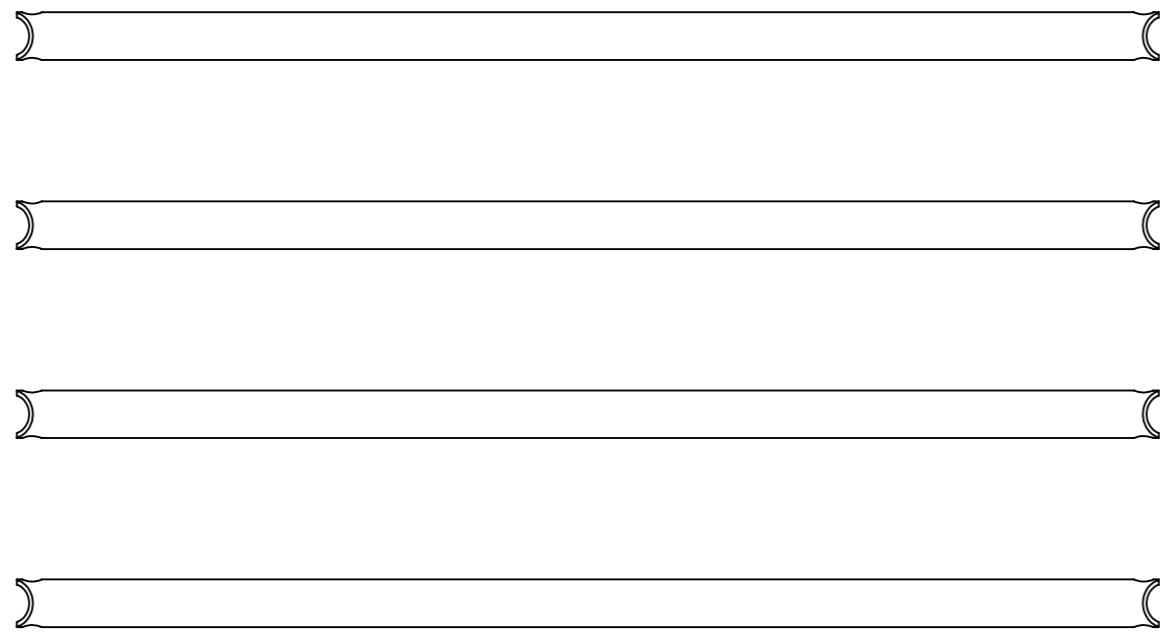
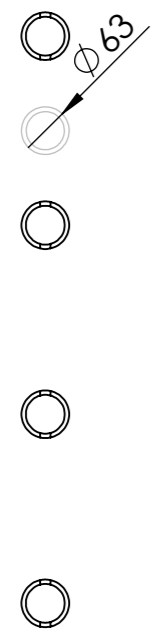
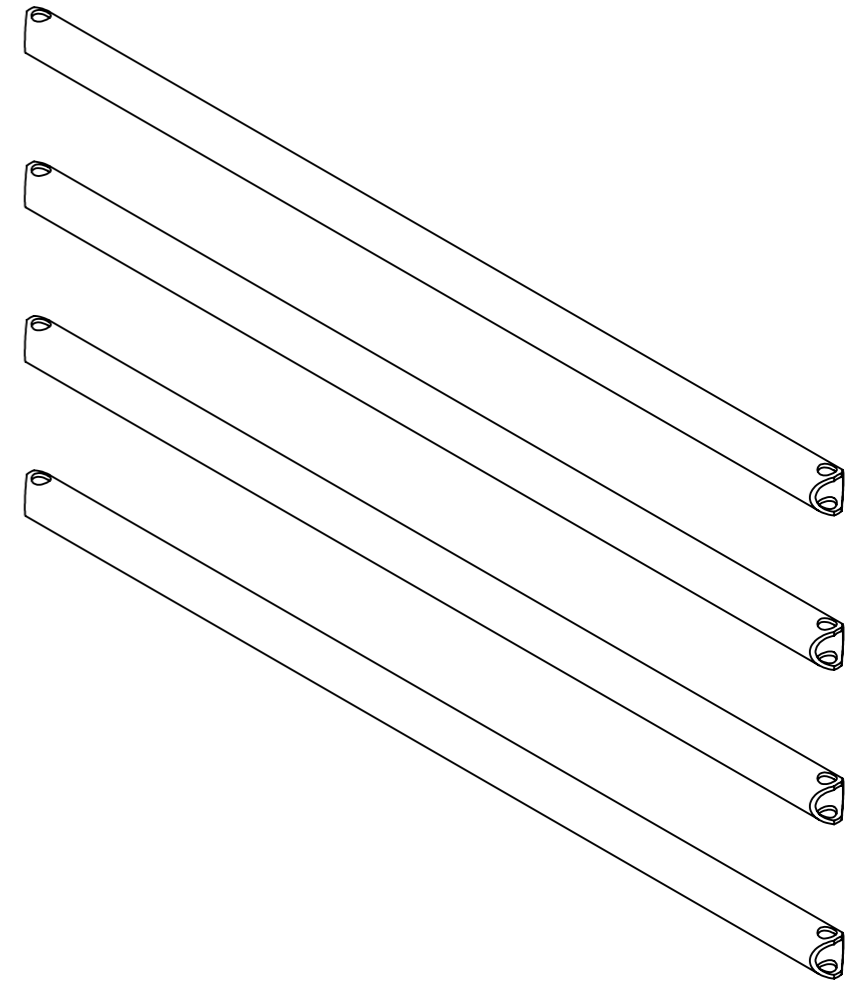
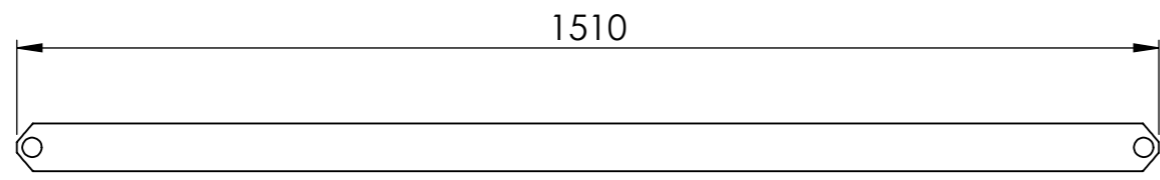


DESIGNER: Christian Poulsen	DATE: 09/04/2018	SCALE: 1:10	SIZE: A3
LAST SAVED BY: christian	LAST SAVED DATE: 15/02/2019		
	RAW MATERIAL:		
	TOLERANCES:		
	MATERIAL:		
	COLOR: Yellow		
	DRAWING NO.: DFFS-H1		
TITLE: 3 pcs standard beam set 1510mm			
SHEET 1 OF 1			

ITEM NO.	PART NUMBER	DESCRIPTION
1	DFFS-H1	Standard Beam 1510 mm

All dimensions are in mm unless otherwise specified

4 pcs standard beam set 1510 mm DFFS-H4

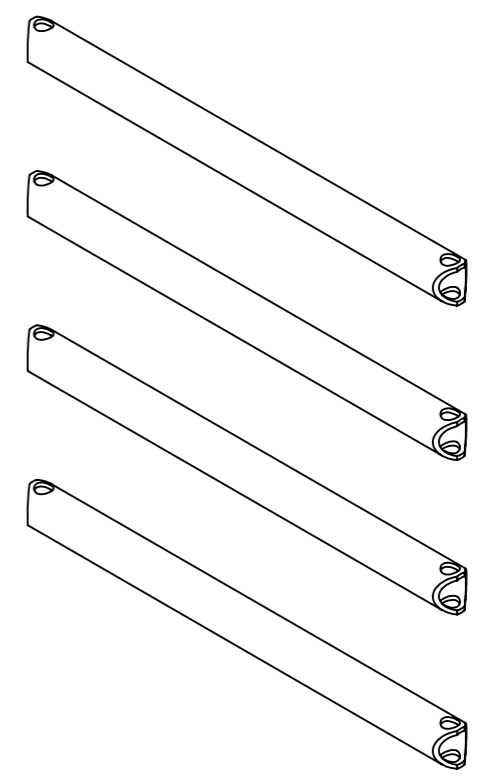
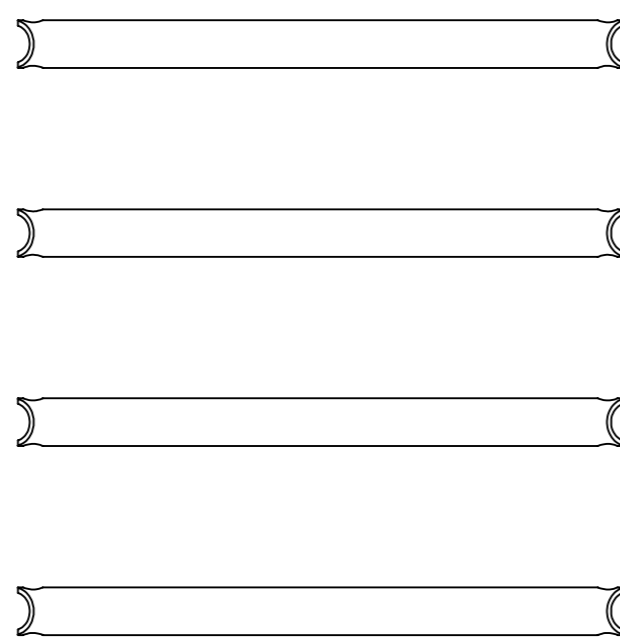
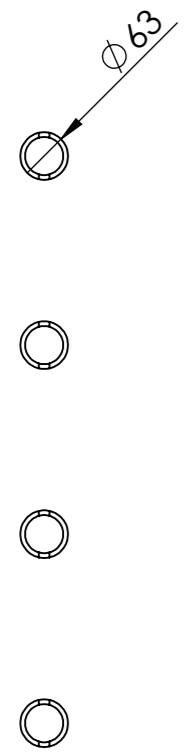
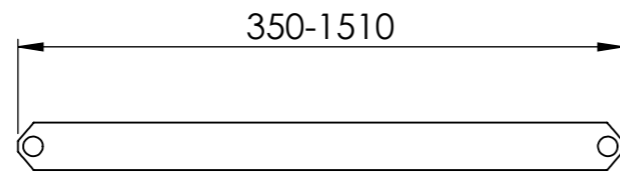


ITEM NO.	PART NUMBER	DESCRIPTION	QTY.
1	72040	Standard Beam 1510 mm	4

All dimensions are in mm unless otherwise specified

DESIGNER: Christian Poulsen	DATE: 09/04/2018	SCALE: 1:10	SIZE: A3
LAST SAVED BY: christian	LAST SAVED DATE: 15/02/2019		
	RAW MATERIAL:		
	TOLERANCES:		
	MATERIAL:		
	COLOR: Yellow		
	DRAWING NO.: DFFS-H4		
TITLE: 4 pcs standard beam set 1510 mm			
SHEET 1 OF 1			

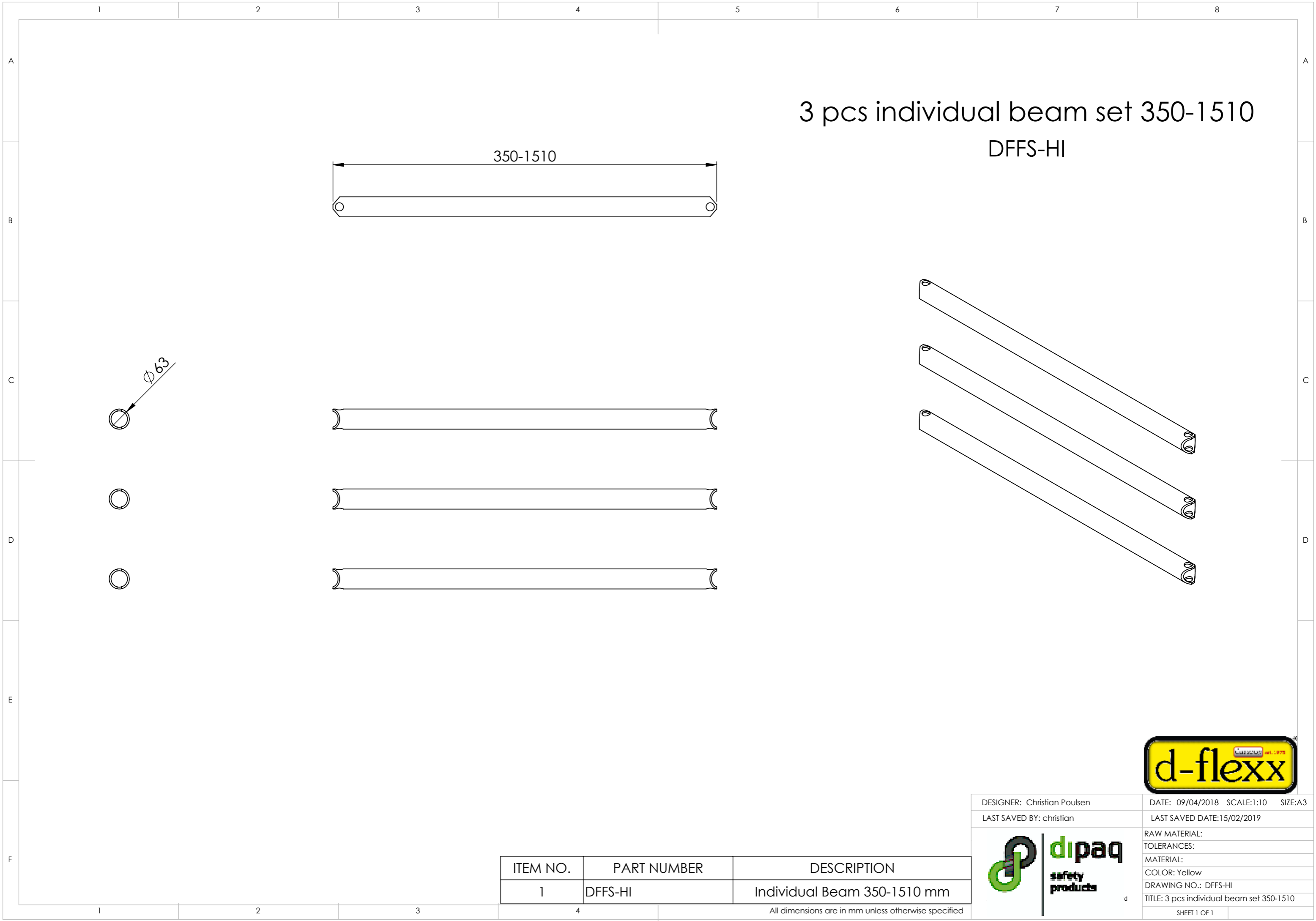
4 pcs individual beam set 350-1510 mm DFFS-H4I



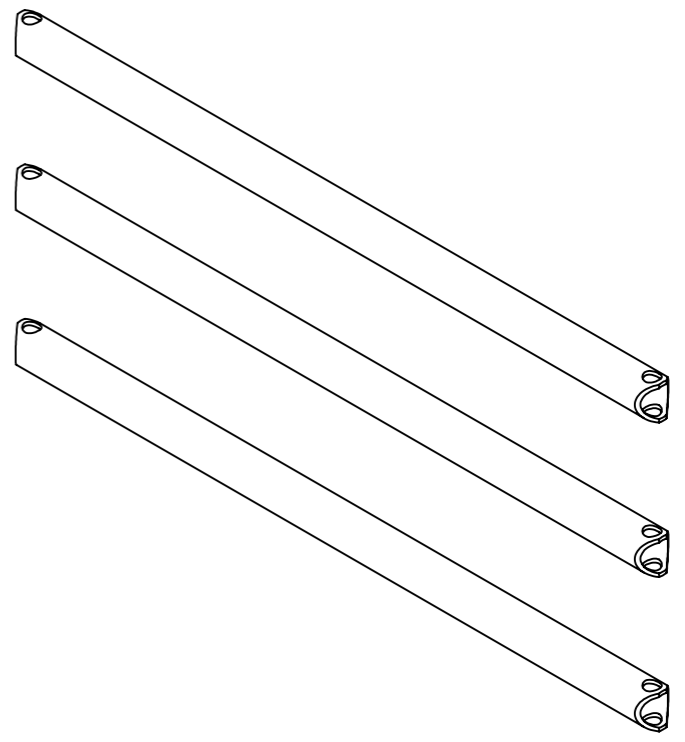
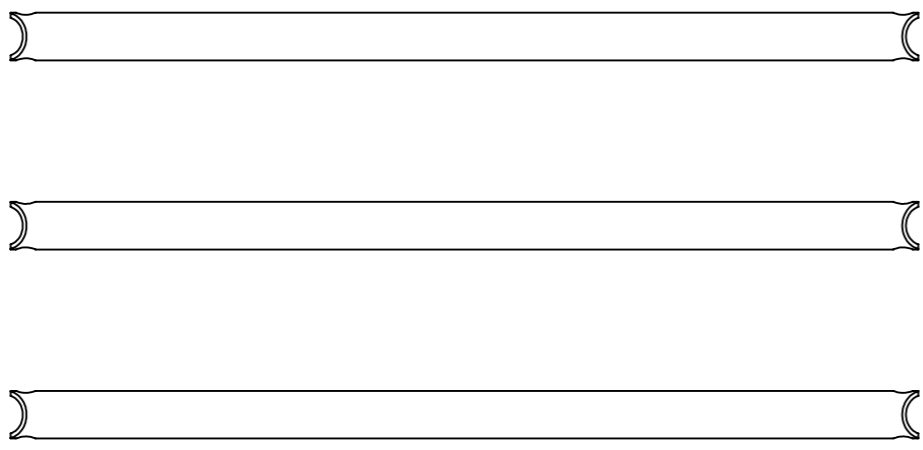
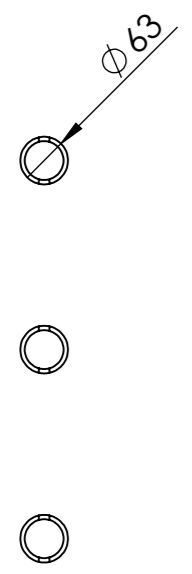
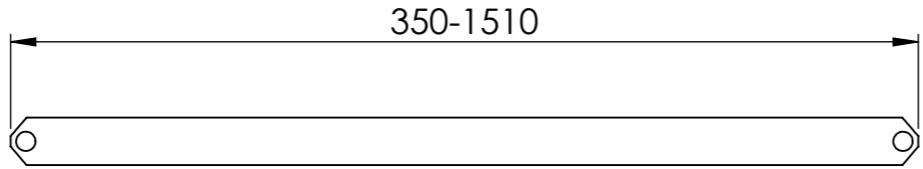
ITEM NO.	PART NUMBER	DESCRIPTION
1	DFFS-HI	Individual Beam 350-1510 mm

All dimensions are in mm unless otherwise specified

DESIGNER: Christian Poulsen	DATE: 09/04/2018	SCALE:1:10	SIZE:A3
LAST SAVED BY: christian	LAST SAVED DATE:15/02/2019		
	RAW MATERIAL:		
	TOLERANCES:		
	MATERIAL:		
	COLOR: Yellow		
	DRAWING NO.: DFFS-H4I		
TITLE: 4 pcs individual beam set 350-1510 mm			
SHEET 1 OF 1			




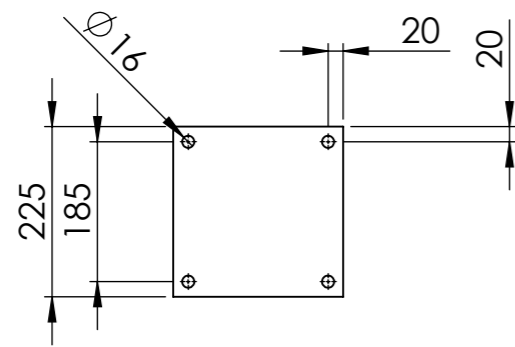
3 pcs individual beam set 350-1510
DFFS-HI



ITEM NO.	PART NUMBER	DESCRIPTION
1	DFFS-HI	Individual Beam 350-1510 mm

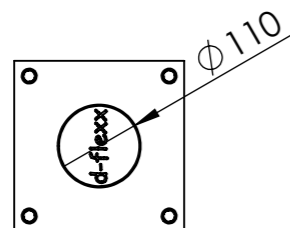
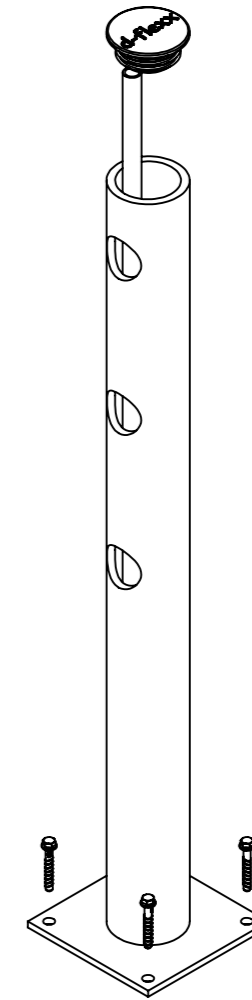
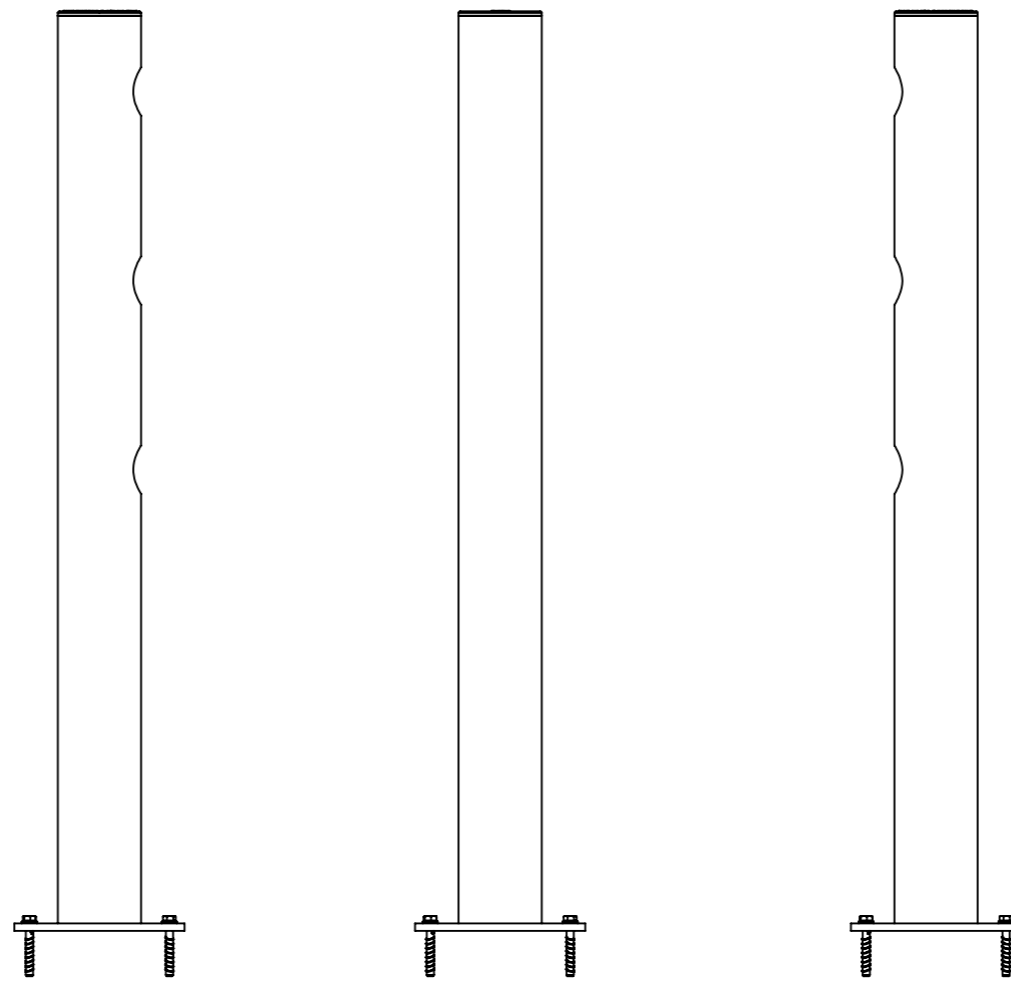
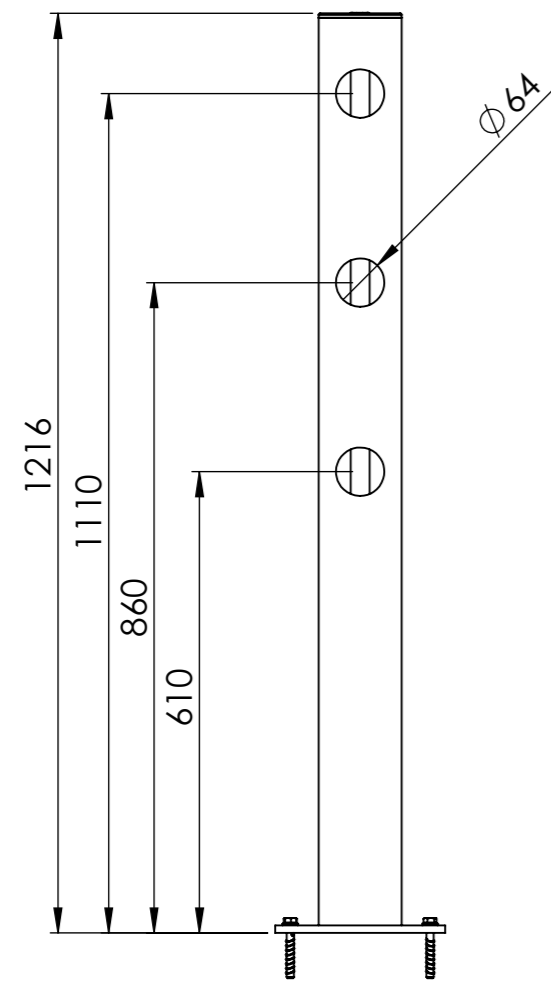
All dimensions are in mm unless otherwise specified

DESIGNER: Christian Poulsen	DATE: 09/04/2018	SCALE:1:10	SIZE:A3
LAST SAVED BY: christian	LAST SAVED DATE:15/02/2019		
	RAW MATERIAL:		
	TOLERANCES:		
	MATERIAL:		
	COLOR: Yellow		
	DRAWING NO.: DFFS-HI		
TITLE: 3 pcs individual beam set 350-1510			
SHEET 1 OF 1			



Delta End Post, 1200mm

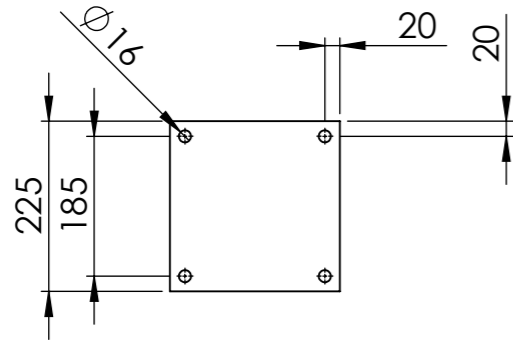
DFFS-M-E



ITEM NO.	PART NUMBER	DESCRIPTION	QTY.
1	DFFS-M-E	End post	1
2	901.02-9	pin Ø25 x 2,3 x 1150 mm 45 Degree cut	1
3	75001	Fischer Ultracut FBS II	4

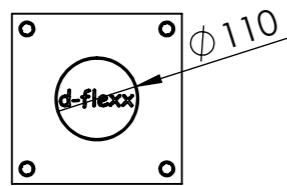
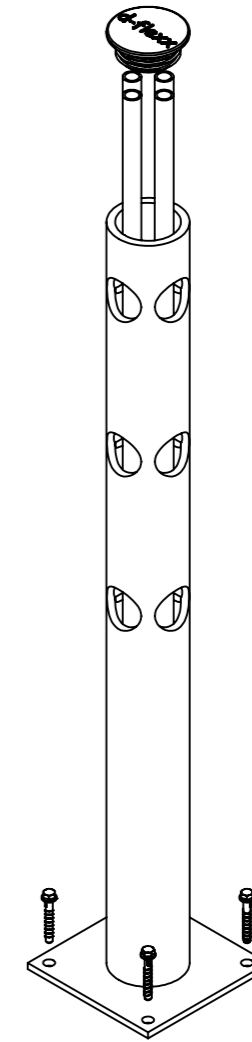
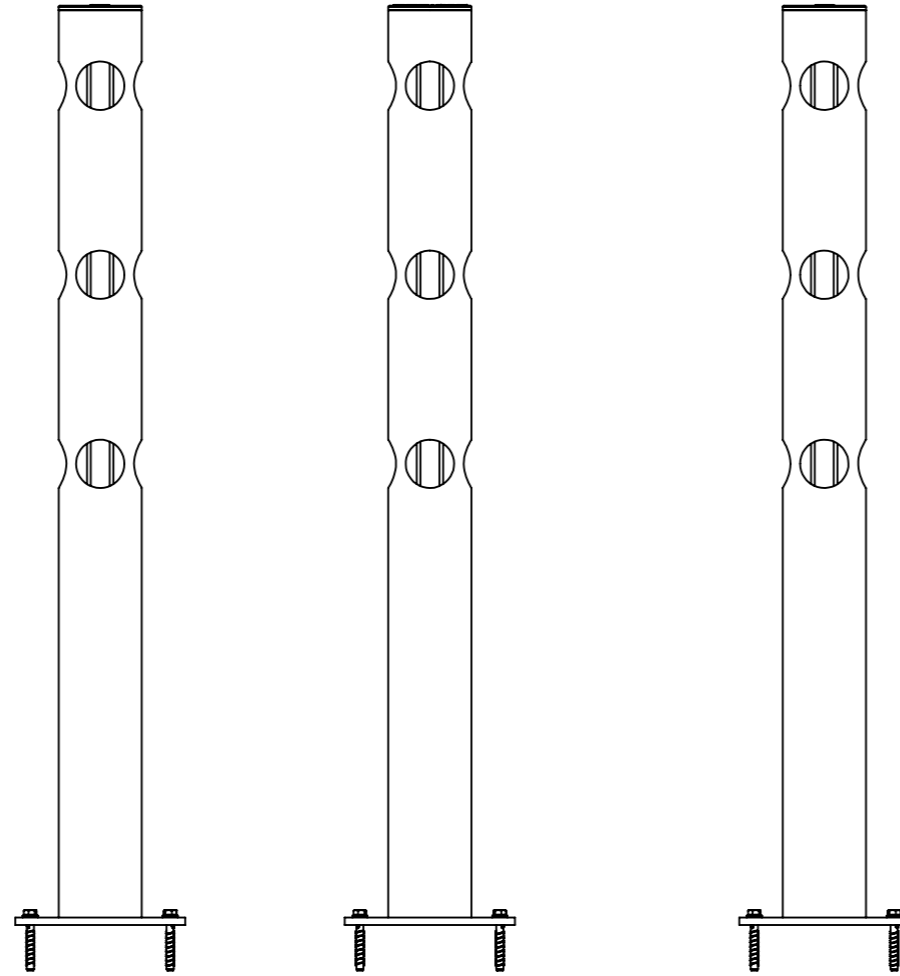
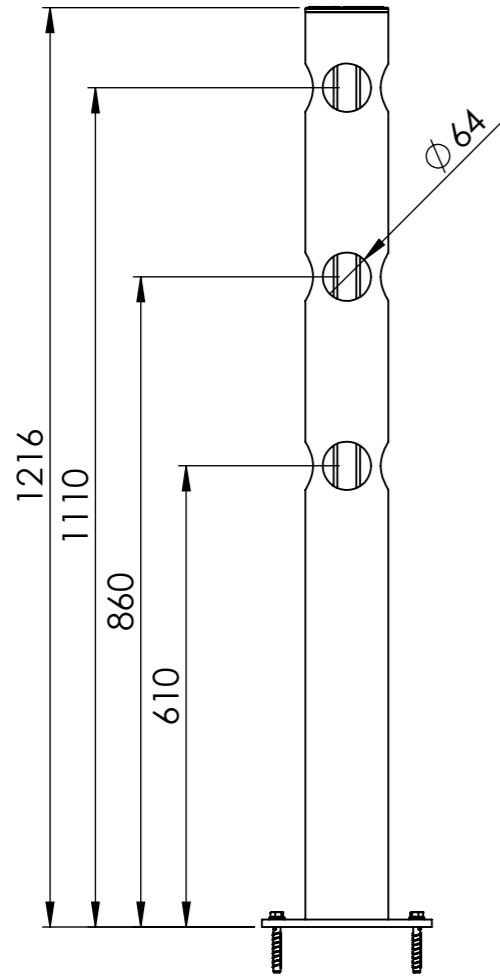
DESIGNER: Christian Poulsen	DATE: 09/04/2018	SCALE:1:10	SIZE:A3
LAST SAVED BY: christian	LAST SAVED DATE:15/02/2019		
	RAW MATERIAL:		
	TOLERANCES:		
	MATERIAL:		
	COLOR: Black		
	DRAWING NO.: DFFS-M-E		
TITLE: Delta End Post, 1200mm			
SHEET 1 OF 1			

All dimensions are in mm unless otherwise specified



Delta Plus Post, 1200mm

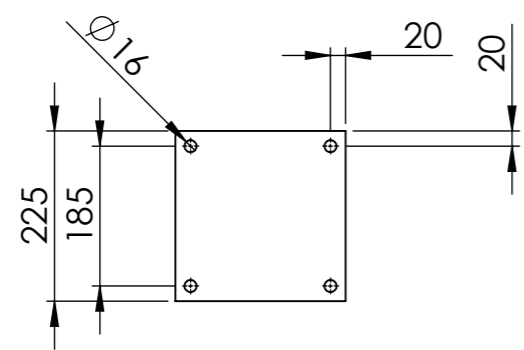
DFFS-M-K



ITEM NO.	PART NUMBER	DESCRIPTION	QTY.
1	DFFS-M-K	Plus post	1
2	901.02-9	pin Ø25 x 2,3 x 1150 mm 45 Degree cut	4
3	75001	Fischer Ultracut FBS II	4

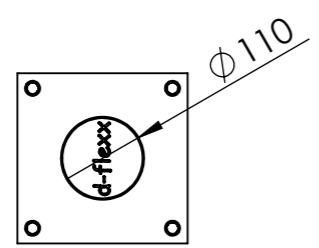
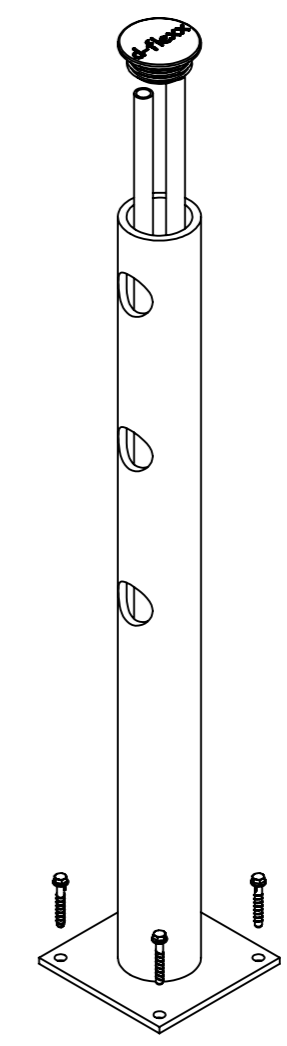
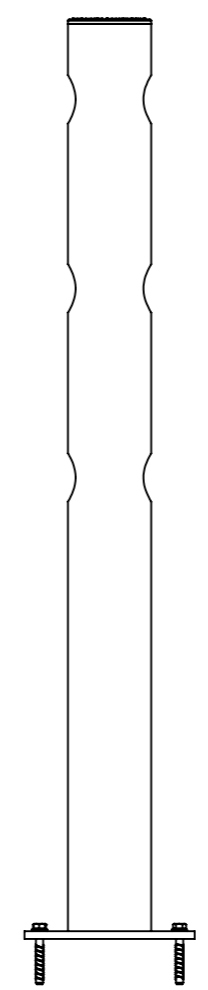
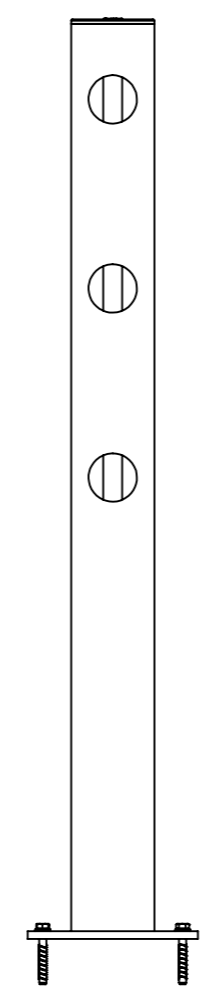
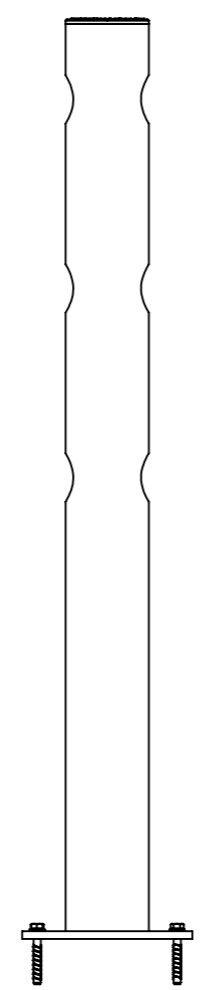
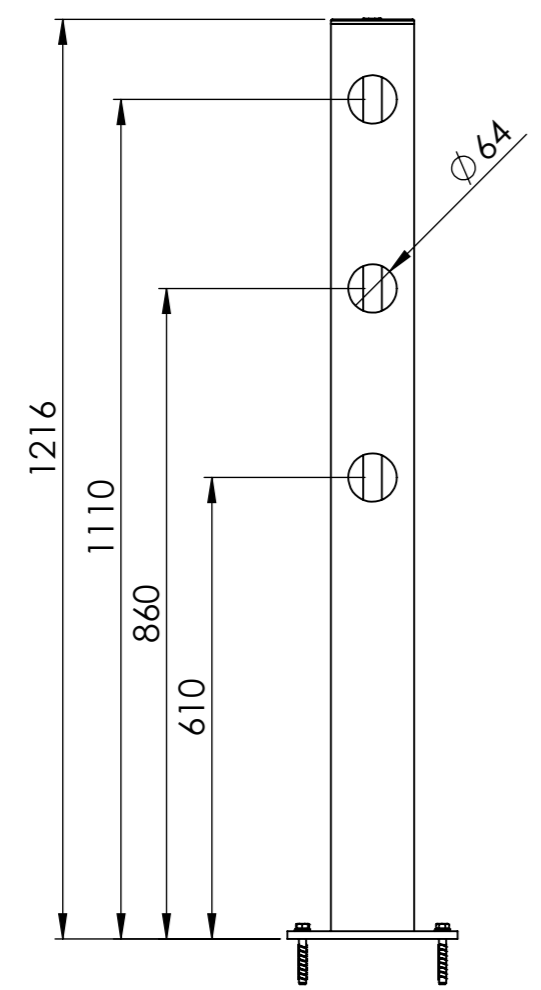
DESIGNER: Christian Poulsen	DATE: 09/04/2018	SCALE:1:10	SIZE:A3
LAST SAVED BY: christian	LAST SAVED DATE:15/02/2019		
	RAW MATERIAL:		
	TOLERANCES:		
	MATERIAL:		
	COLOR: Black		
	DRAWING NO.: DFFS-M-K		
TITLE: Delta Plus Post, 1200mm			
SHEET 1 OF 1			

All dimensions are in mm unless otherwise specified



Delta middle post, 1200 mm

DFFS-M-M



ITEM NO.	PART NUMBER	DESCRIPTION	QTY.
1	DFFS-M-M	Middle post	1
2	901.02-9	pin Ø25 x 2,3 x 1150 mm 45 Degree cut	2
3	75001	Fischer Ultracut FBS II	4

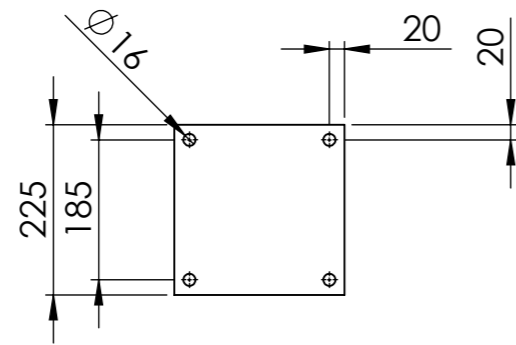
DESIGNER: Christian Poulsen
 LAST SAVED BY: christian

DATE: 09/04/2018 SCALE:1:10 SIZE:A3
 LAST SAVED DATE:15/02/2019

RAW MATERIAL:
 TOLERANCES:
 MATERIAL:
 COLOR: Black
 DRAWING NO.: DFFS-M-M
 TITLE: Delta middle post, 1200 mm

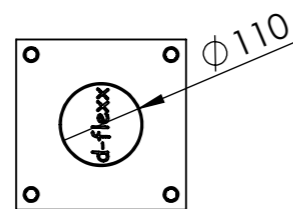
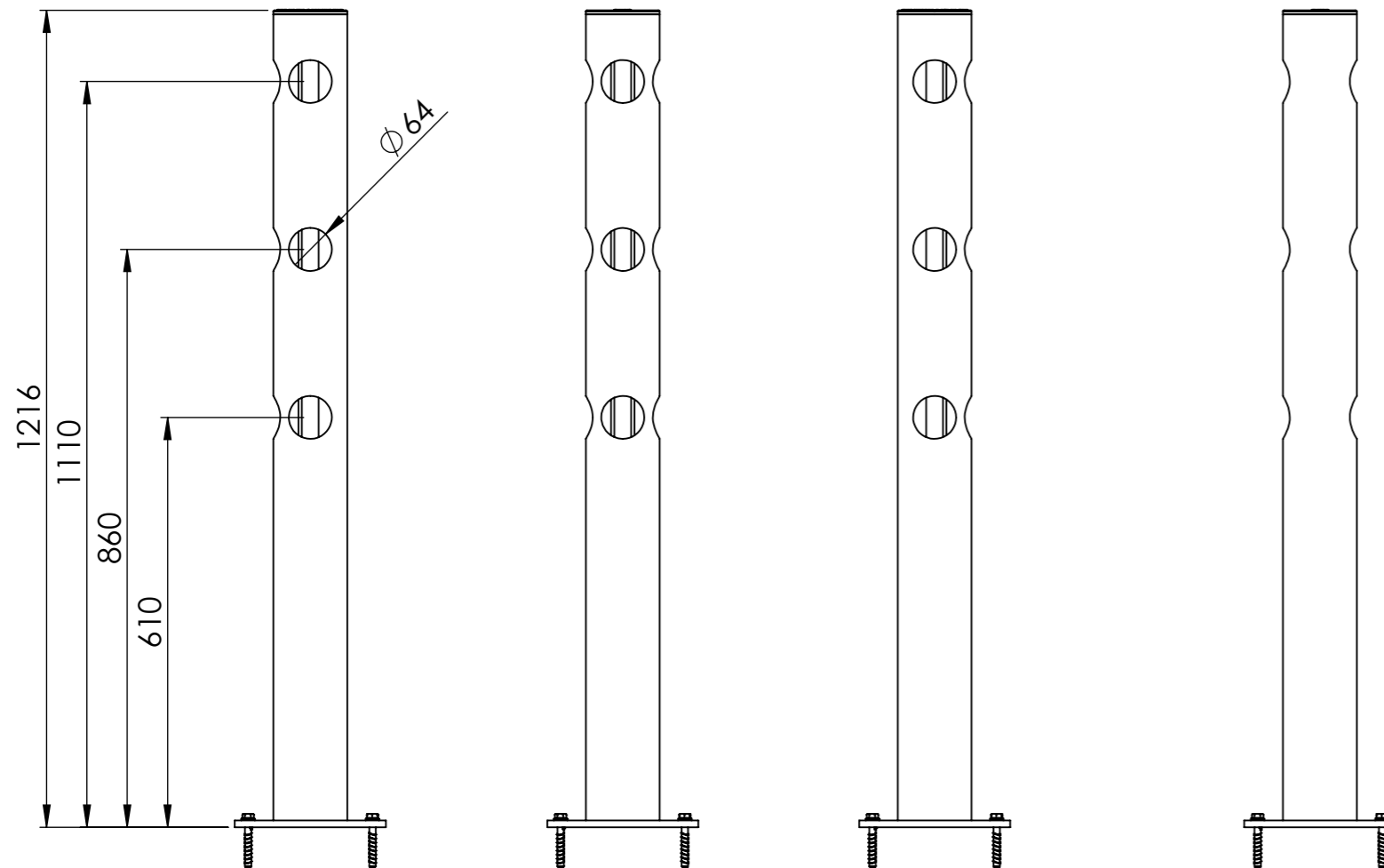
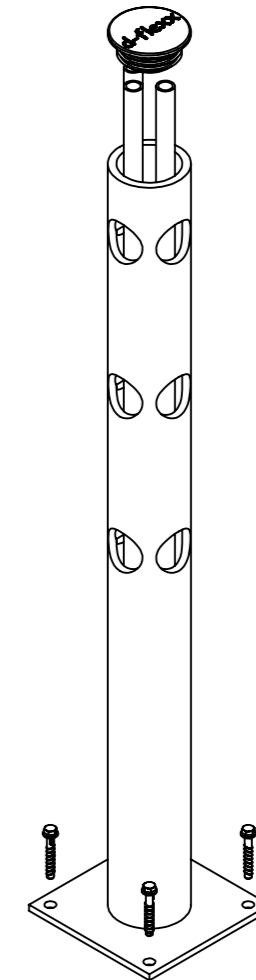
SHEET 1 OF 1

All dimensions are in mm unless otherwise specified



Delta T Post, 1200mm

DFFS-M-T



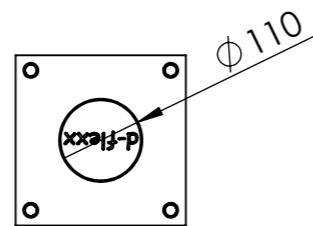
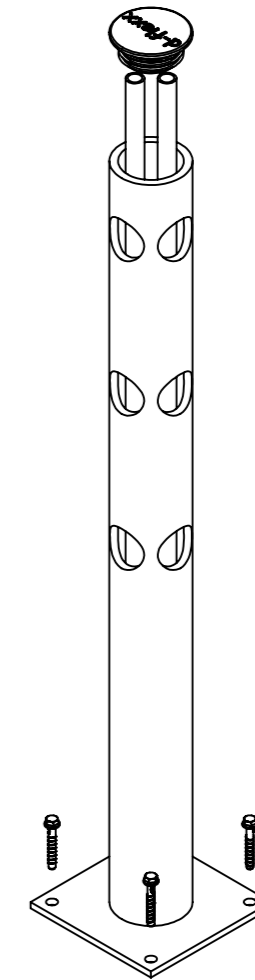
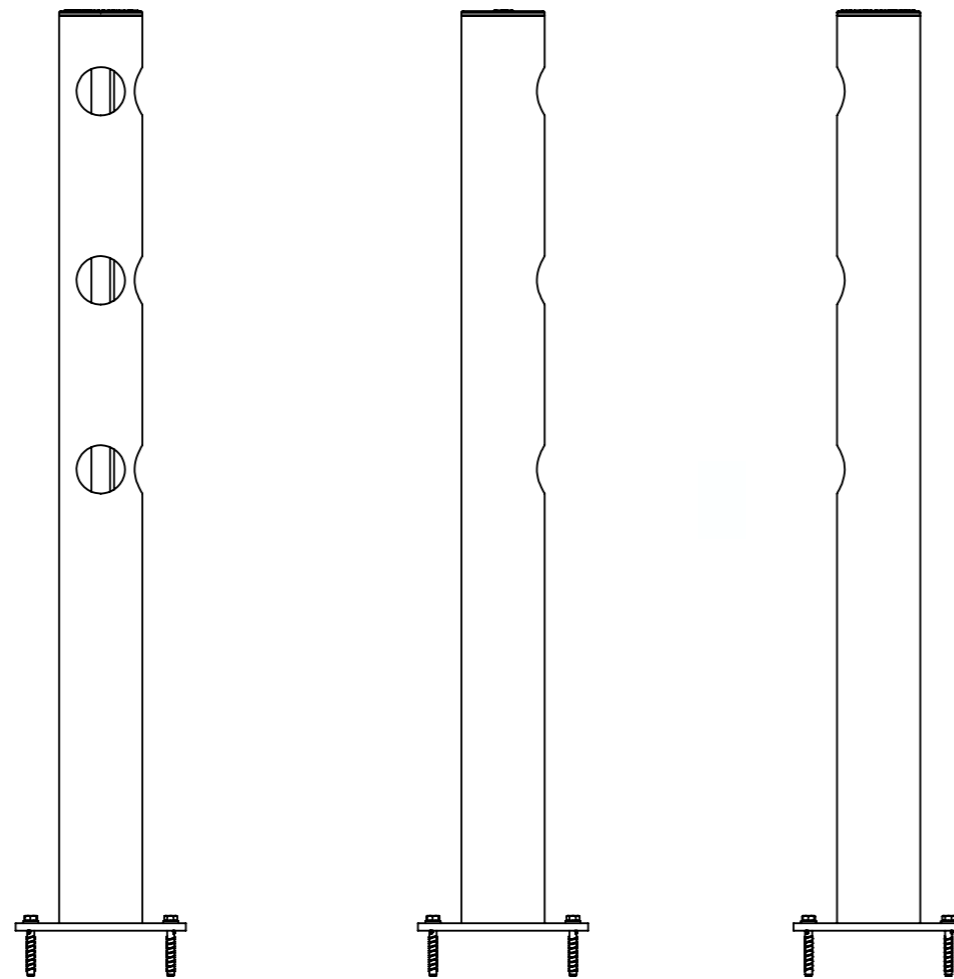
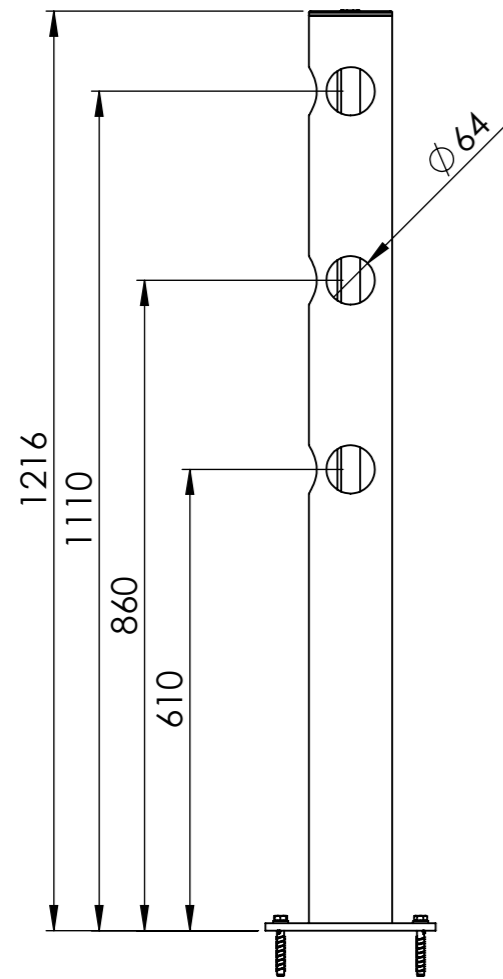
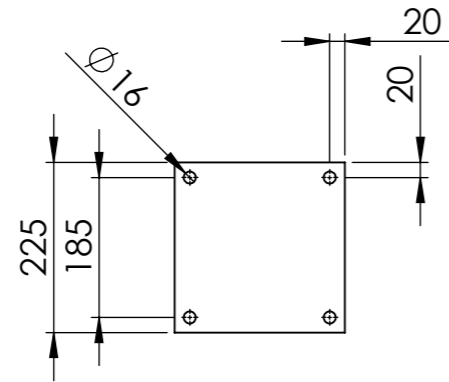
ITEM NO.	PART NUMBER	DESCRIPTION	QTY.
1	DFFS-M-T	T post	1
2	901.02-9	pin Ø25 x 2,3 x 1150 mm 45 Degree cut	3
3	75001	Fischer Ultracut FBS II	4

All dimensions are in mm unless otherwise specified

DESIGNER: Christian Poulsen	DATE: 10/04/2018	SCALE: 1:10	SIZE: A3
LAST SAVED BY: christian	LAST SAVED DATE: 15/02/2019		
	RAW MATERIAL:		
	TOLERANCES:		
	MATERIAL:		
	COLOR: Black		
	DRAWING NO.: DFFS-M-T		
TITLE: Delta T Post, 1200mm			
SHEET 1 OF 1			

Delta Corner Post, 1200mm

DFFS-M-W90



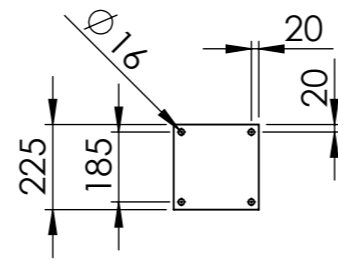
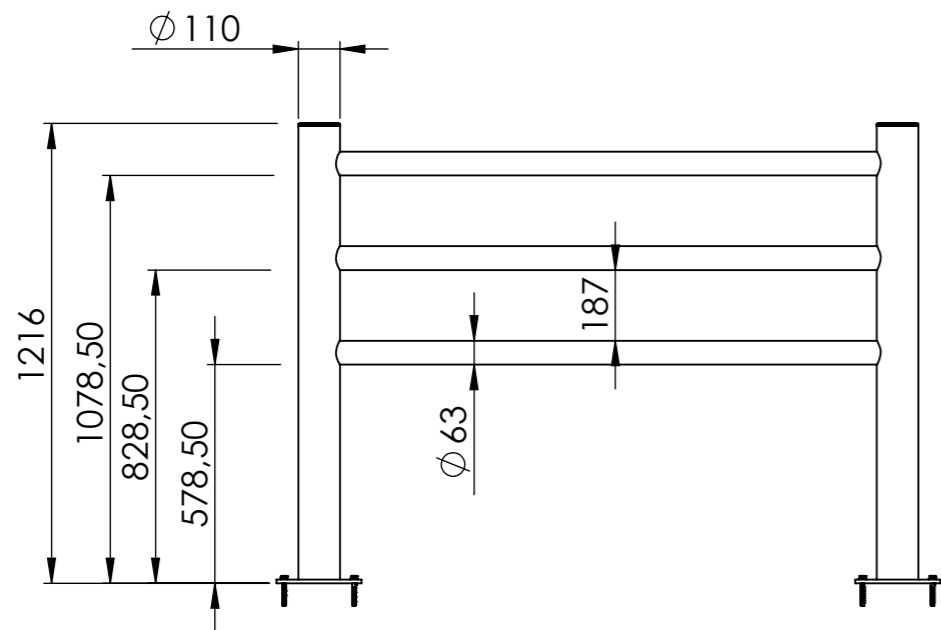
ITEM NO.	PART NUMBER	DESCRIPTION	QTY.
1	DFFS-M-W90	Corner post	1
2	901.02-9	pin $\text{Ø}25 \times 2,3 \times 1150$ mm 45 Degree cut	2
3	75001	Fischer Ultracut FBS II	4

DESIGNER: CHRISTIAN POULSEN DATE: 10/04/2018 SCALE:1:10 SIZE:A3
 LAST SAVED BY: christian LAST SAVED DATE:15/02/2019



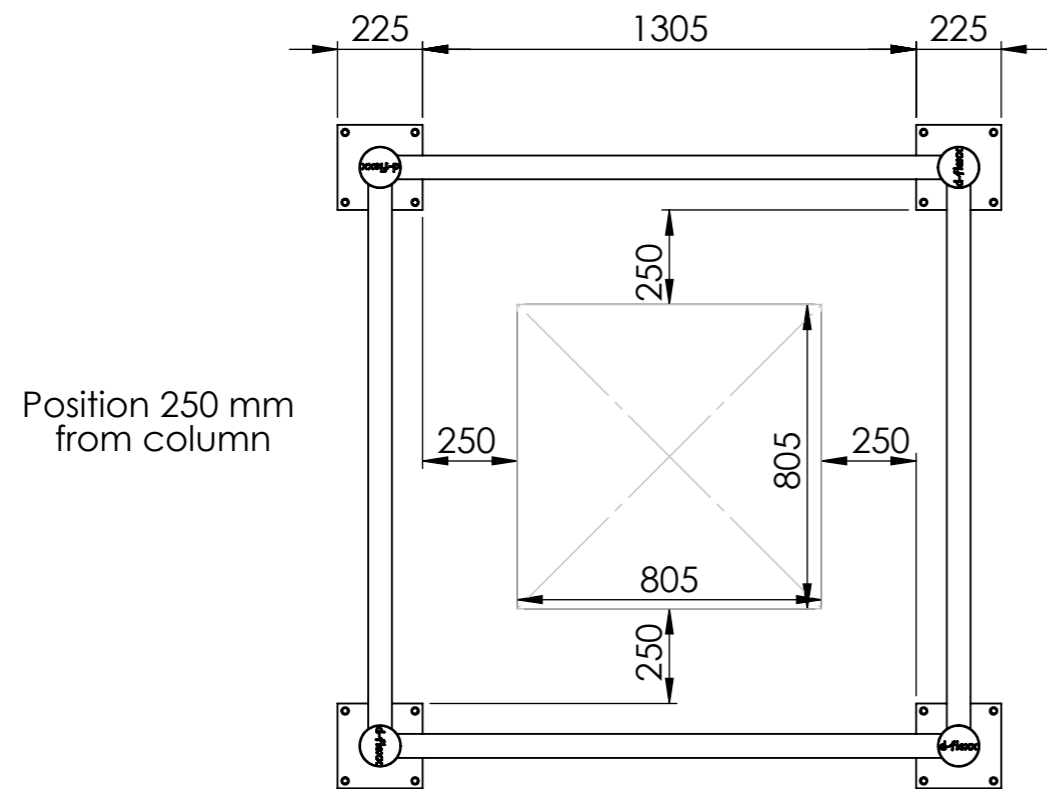
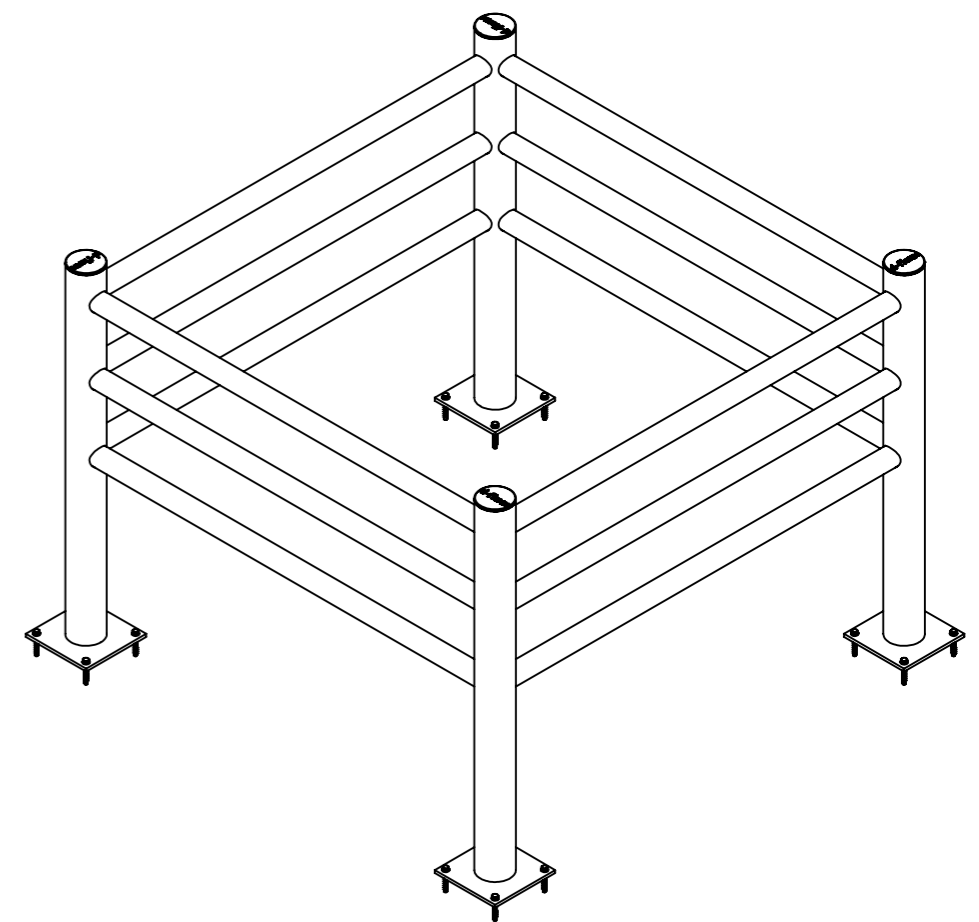
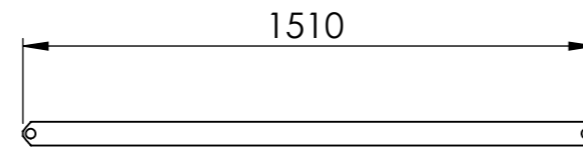
TOLERANCES:
 MATERIAL:
 COLOR: Black
 DRAWING NO.: DFFS-M-W90
 TITLE: Delta Corner Post, 1200mm
 SHEET 1 OF 1

All dimensions are in mm unless otherwise specified



Delta columns protector 1305mm

DFFS-C4-1305



DESIGNER: Christian Poulsen	DATE: 04/05/2018	SCALE: 1:20	SIZE: A3
LAST SAVED BY: christian	LAST SAVED DATE: 18/02/2019		
	RAW MATERIAL:		
	TOLERANCES:		
	MATERIAL:		
	COLOR:		
	DRAWING NO.: DFFS-C4-1305		
TITLE: Delta columns protector 1305mm			SHEET 1 OF 1

ITEM NO.	PART NUMBER	DESCRIPTION	QTY.
1	DFFS-M-W90	Corner post	4
2	DFFS-H1	Standard Beam 1510 mm	4

All dimensions are in mm unless otherwise specified