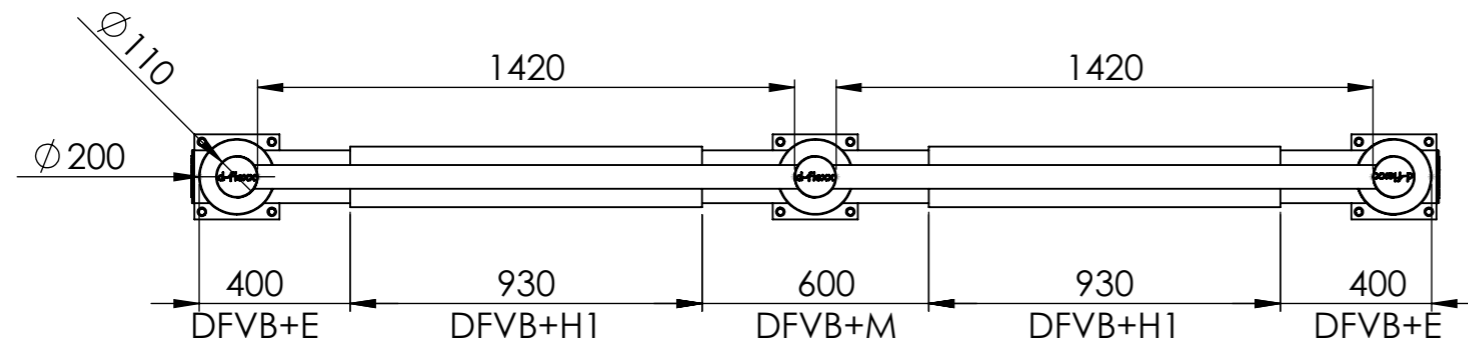
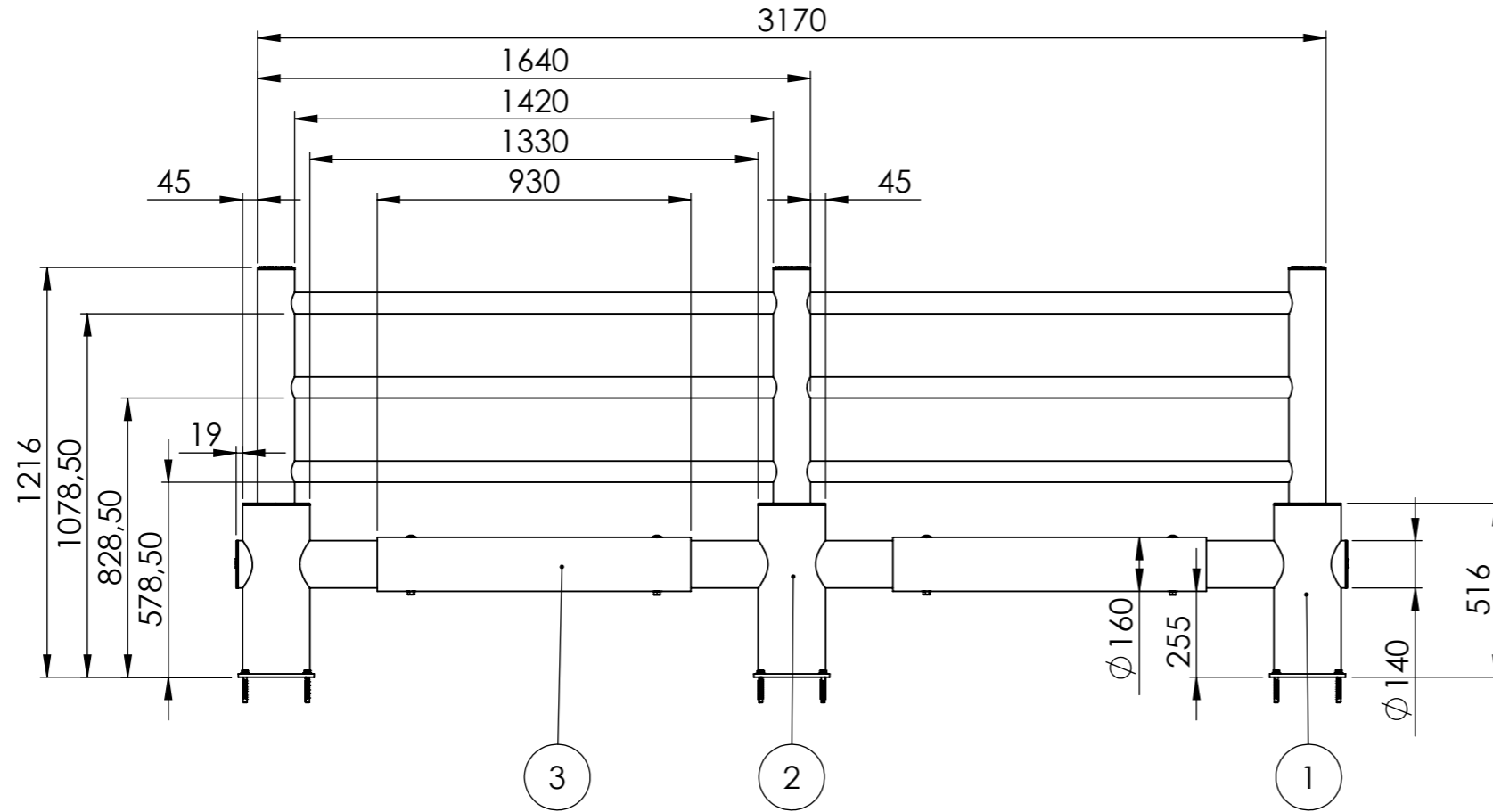
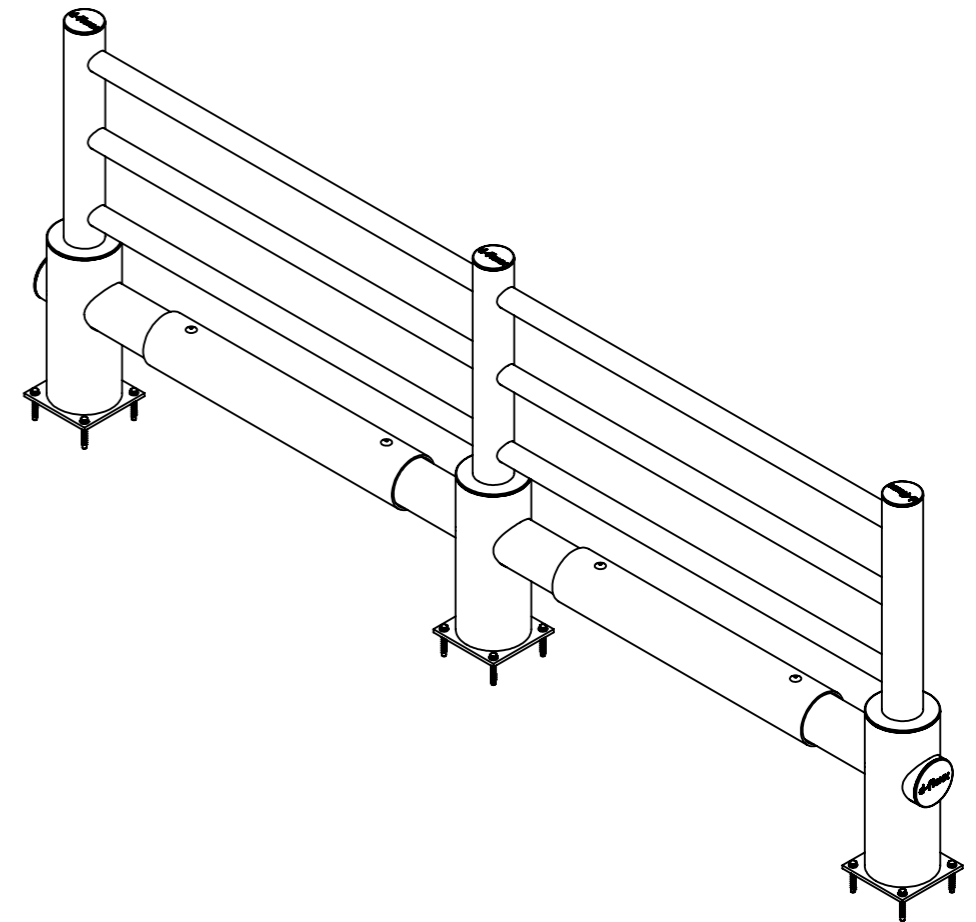


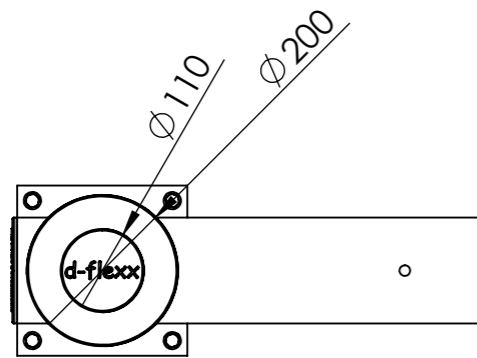
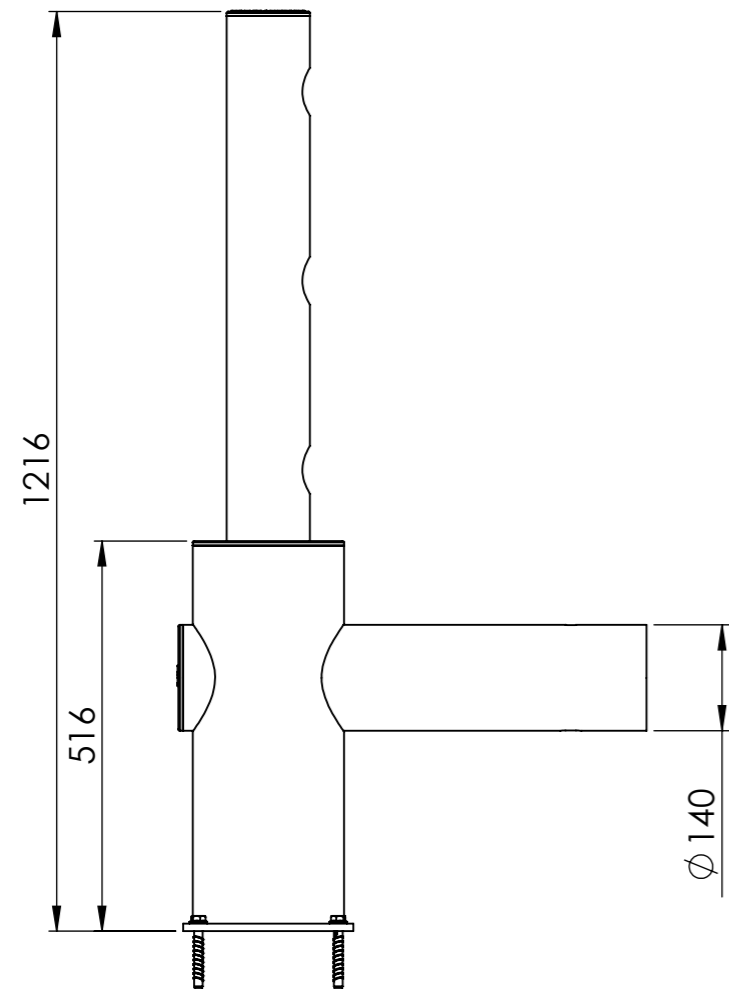
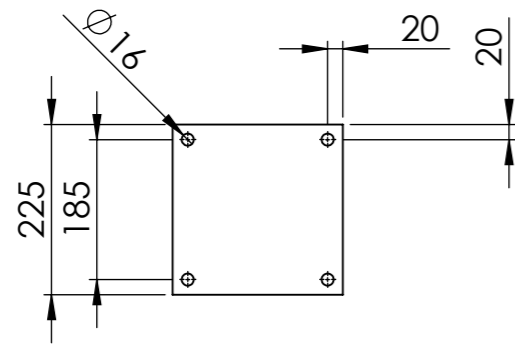
# Echo Plus 74000\_S



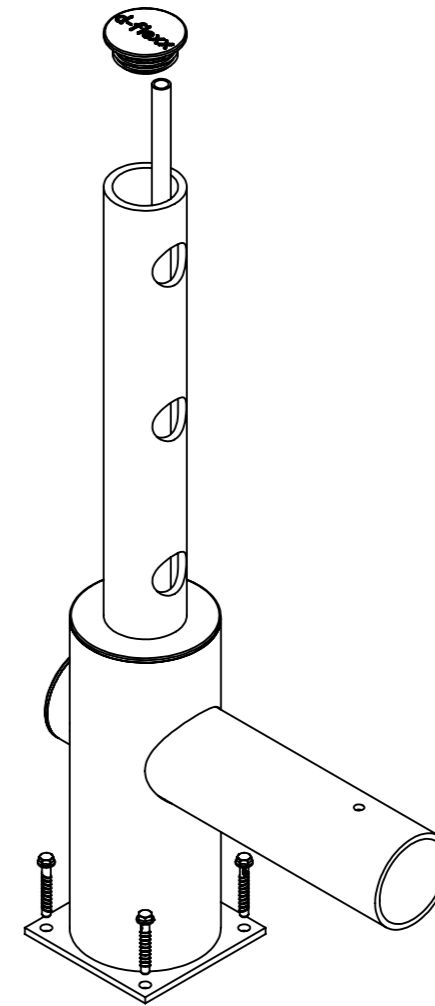
ITEM NO.	PART NUMBER	DESCRIPTION
1	DFVB+E	End post
2	DFVB+M	Middle post
3	DFVB+H1	Standard Beam 1510 mm

DESIGNER: Christian Poulsen	DATE: 14/03/2018	SCALE: 1:20	SIZE: A3
LAST SAVED BY: christian	LAST SAVED DATE: 15/02/2019		
	RAW MATERIAL:		
	TOLERANCES:		
	MATERIAL: PE		
	COLOR: Black & Yellow		
	DRAWING NO.: 74000_S		
TITLE: Echo Plus			
SHEET 1 OF 1			

All dimensions are in mm unless otherwise specified



# Echo, end post DFVB+E



ITEM NO.	PART NUMBER	DESCRIPTION	QTY.
1	DFVB+E	End post	1
2	75002	Fischer Ultracut FBS II	4
3	901.01-5	pin Ø25 x 2,3 x 900 mm 45 Degree cut	1

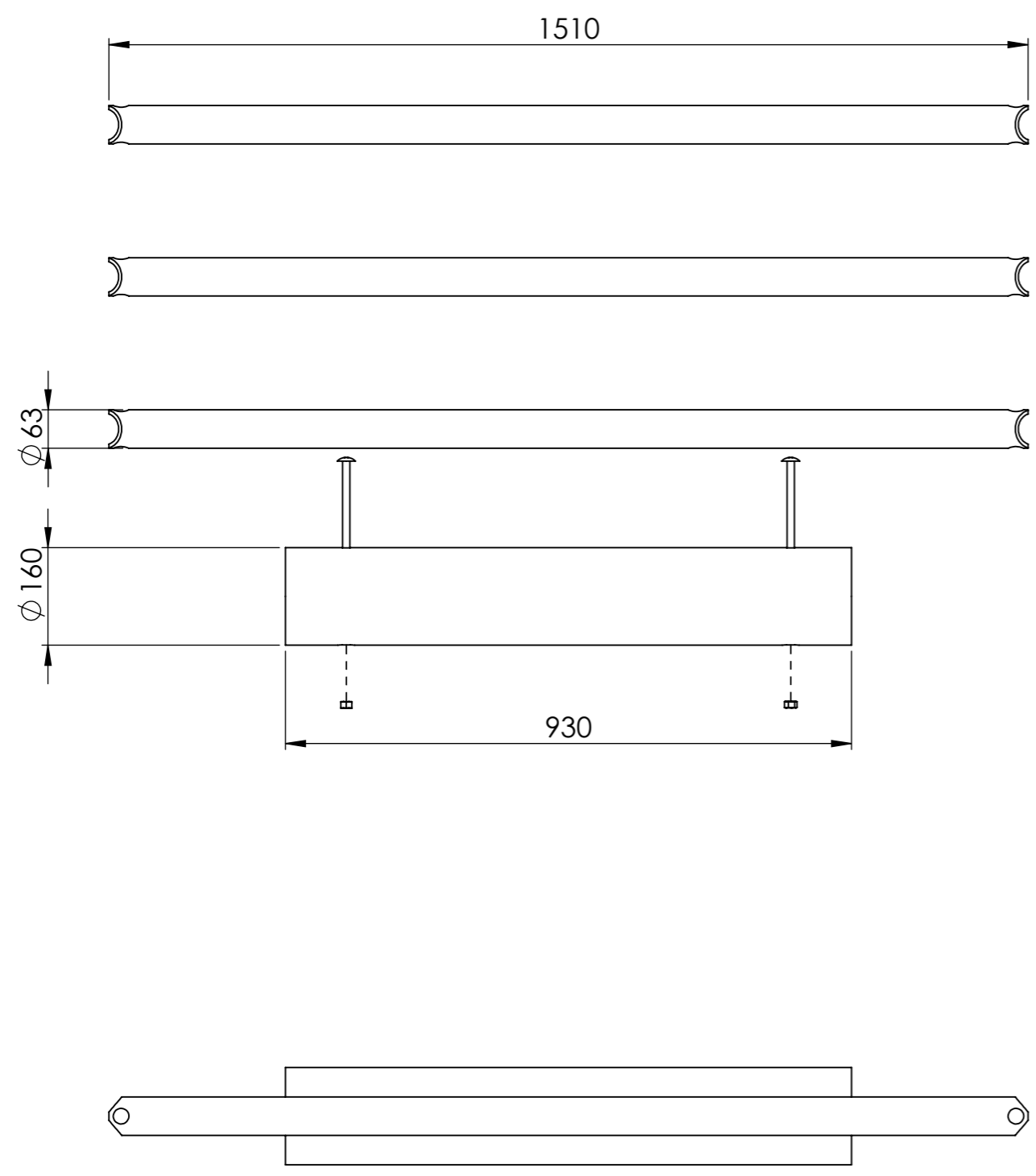
All dimensions are in mm unless otherwise specified



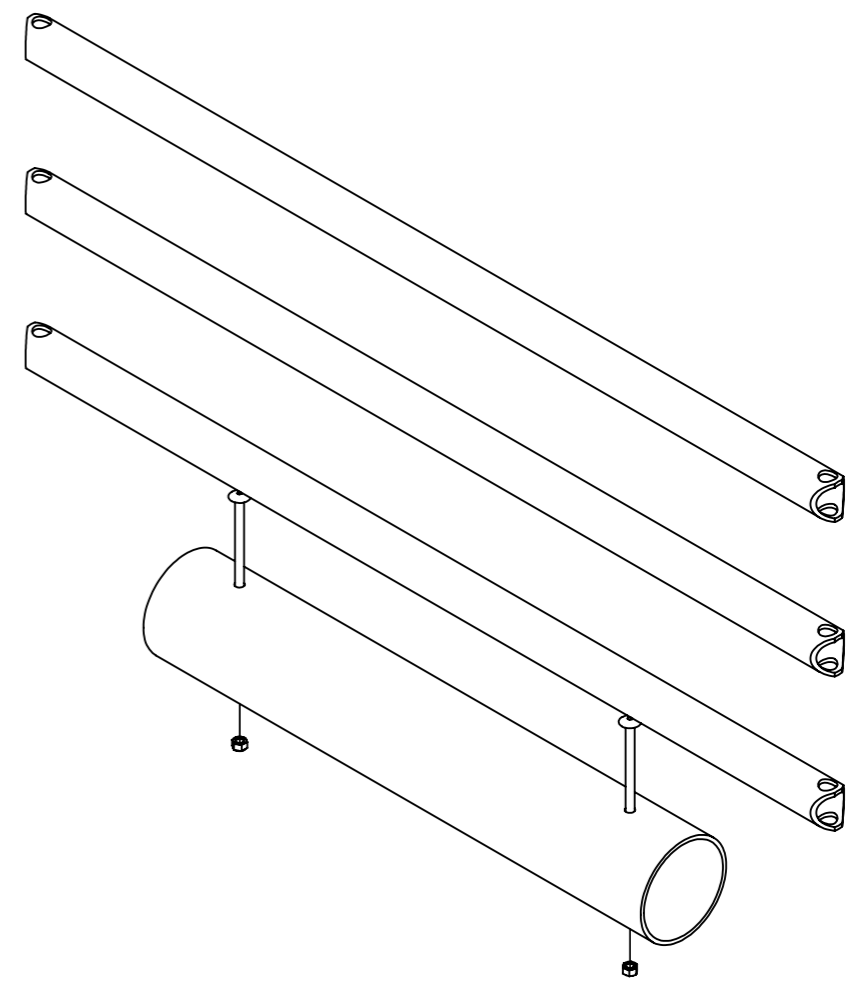
DESIGNER: Christian Poulsen  
LAST SAVED BY: christian



DATE: 10/04/2018 SCALE:1:10 SIZE:A3  
LAST SAVED DATE:15/02/2019  
RAW MATERIAL:  
TOLERANCES:  
MATERIAL:  
COLOR:  
DRAWING NO.: DFVB+E  
TITLE: Echo, end post  
SHEET 1 OF 1



# Echo, standard beam set, DFVB+H1



ITEM NO.	PART NUMBER	DESCRIPTION	QTY.
1	985.01-8	M12x170 Grade 4.8	2
2	985.02-5	M12 Nut	2
3	71040	Standard Beam 930 mm	1
4	72040	Standard Beam 1510 mm	3

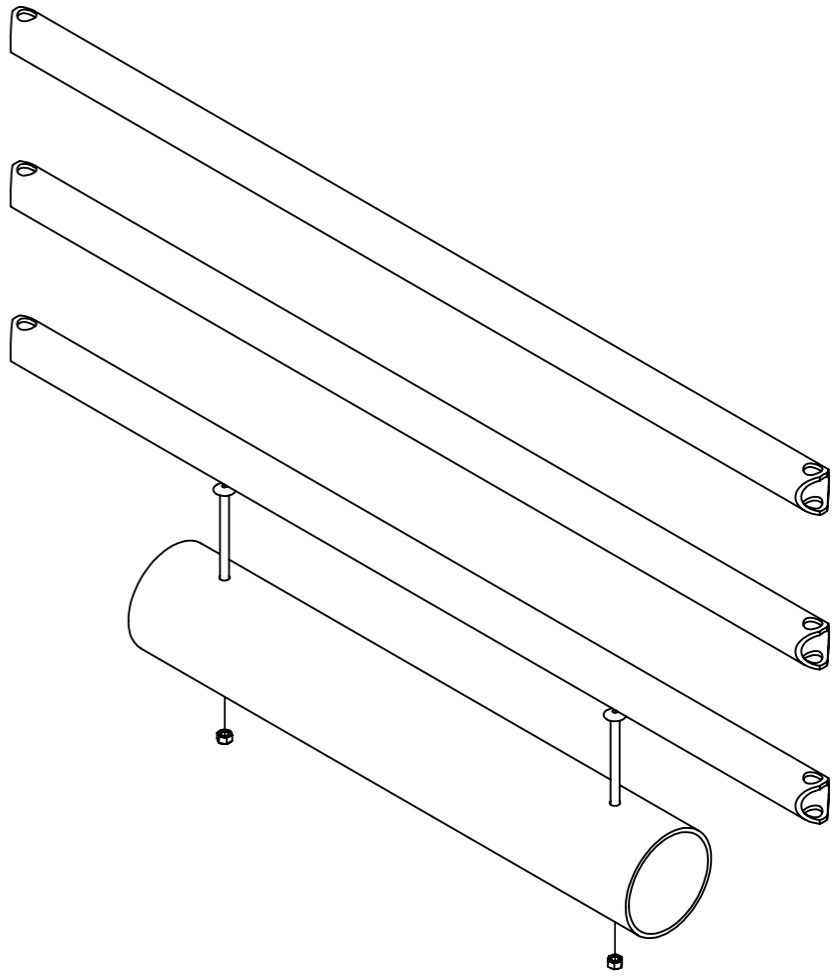
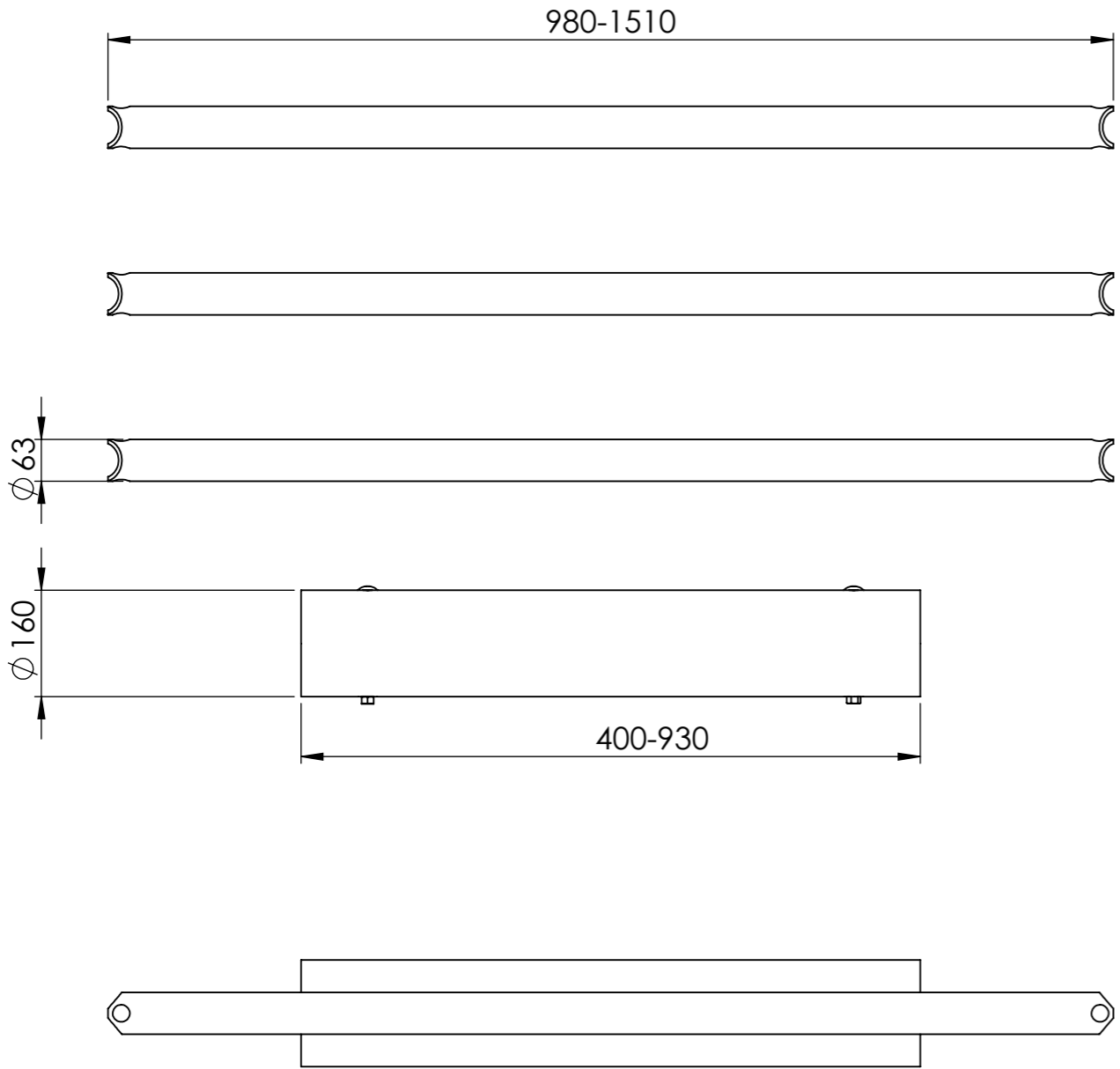
DESIGNER: Christian Poulsen  
 LAST SAVED BY: christian  
 DATE: 10/04/2018 SCALE:1:10 SIZE:A3  
 LAST SAVED DATE:15/02/2019

**dipaq**  
 safety products

RAW MATERIAL:  
 TOLERANCES:  
 MATERIAL:  
 COLOR:  
 DRAWING NO.: DFVB+H1  
 TITLE: Echo, standard beam set,  
 SHEET 1 OF 1

All dimensions are in mm unless otherwise specified

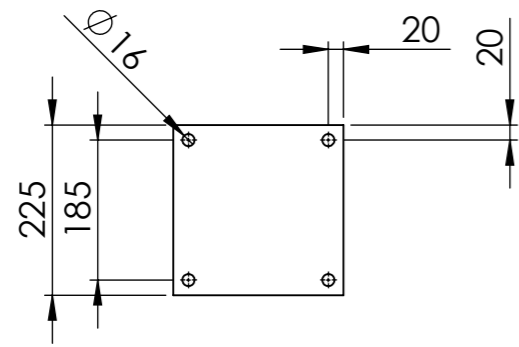
# Echo indiv. 980-1510 mm. DFVB+HI



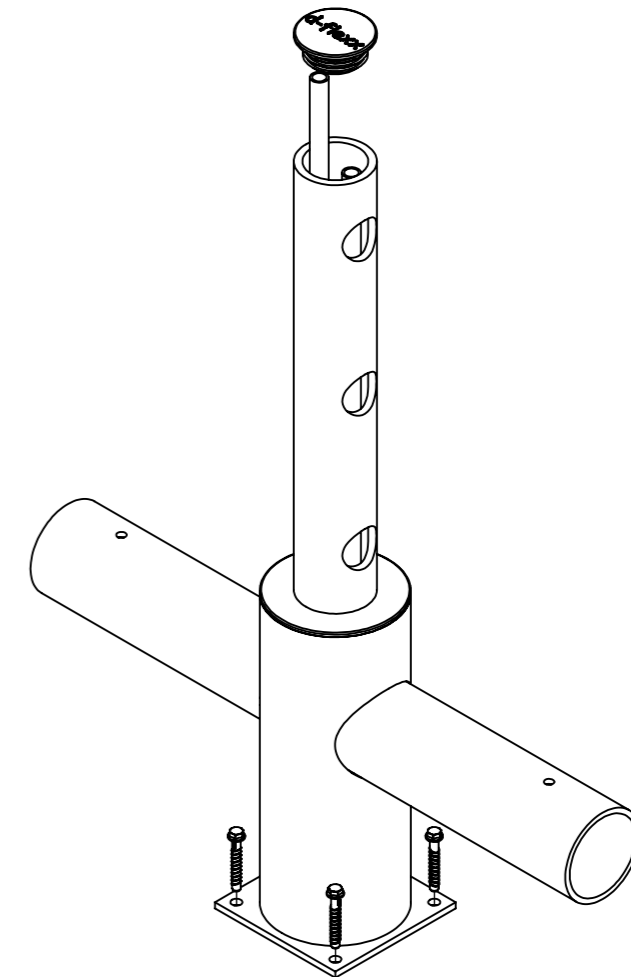
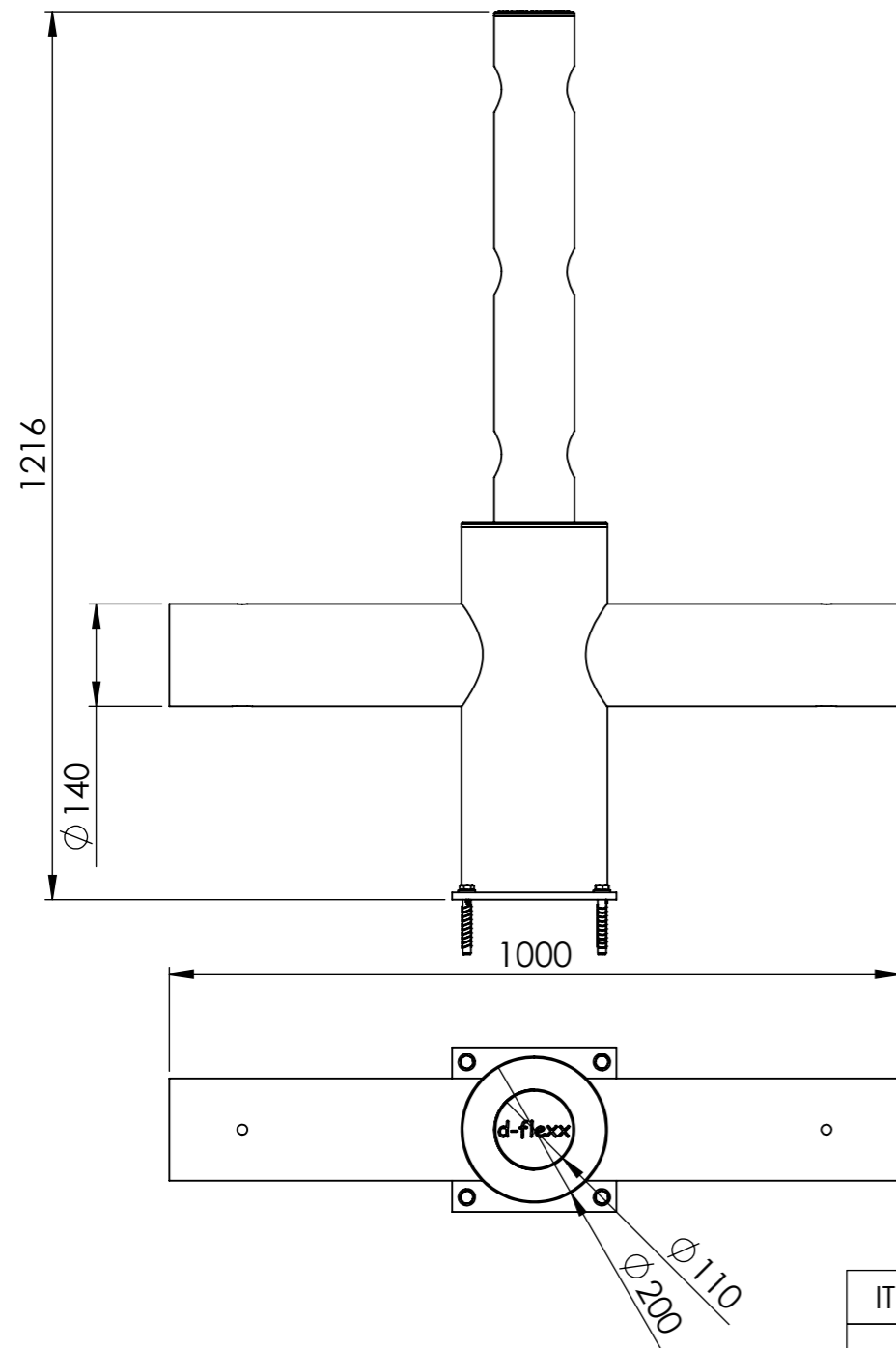
ITEM NO.	PART NUMBER	DESCRIPTION	QTY.
1	72041	Individual beam 590-1510 mm	3
2	71041	Individual beam 400-930 mm	1
3	985.01-8	M12x170 Grade 4.8	2
4	985.02-5	M12 Nut	2

All dimensions are in mm unless otherwise specified

DESIGNER: Christian Poulsen	DATE: 10/04/2018	SCALE:1:10	SIZE:A3
LAST SAVED BY: christian	LAST SAVED DATE:15/02/2019		
	RAW MATERIAL:		
	TOLERANCES:		
	MATERIAL:		
	COLOR:		
	DRAWING NO.: DFVB+HI		
TITLE: Echo indiv. 980-1510 mm.			
SHEET 1 OF 1			



# Echo, middle post, DFVB+M



ITEM NO.	PART NUMBER	DESCRIPTION	QTY.
1	DFVB+M	Middle post	1
2	901.01-5	pin Ø25 x 2,3 x 900 mm 45 Degree cut	2
3	75002	Fischer Ultracut FBS II	4

DESIGNER: Christian Poulsen	DATE: 10/04/2018	SCALE:1:10	SIZE:A3
LAST SAVED BY: christian	LAST SAVED DATE:15/02/2019		
	RAW MATERIAL:		
	TOLERANCES:		
	MATERIAL:		
	COLOR:		
	DRAWING NO.: DFVB+M		
TITLE: Echo, middle post,			
SHEET 1 OF 1			

All dimensions are in mm unless otherwise specified