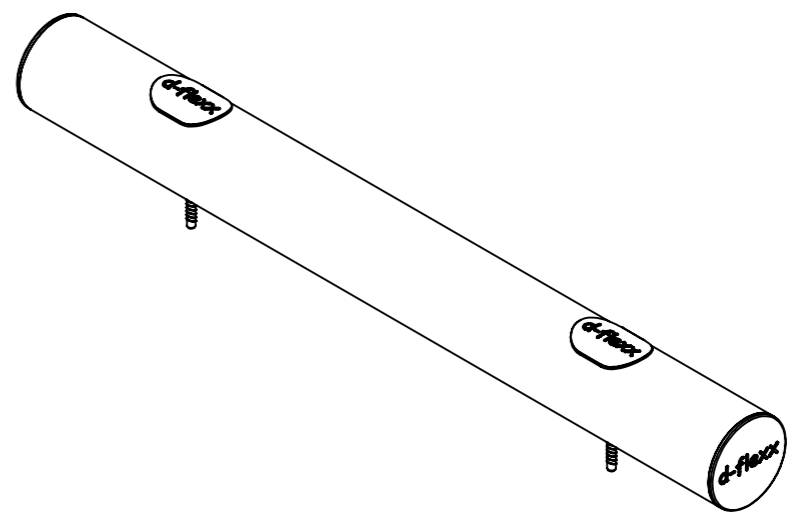


Mike
DFKB-1



SECTION A-A

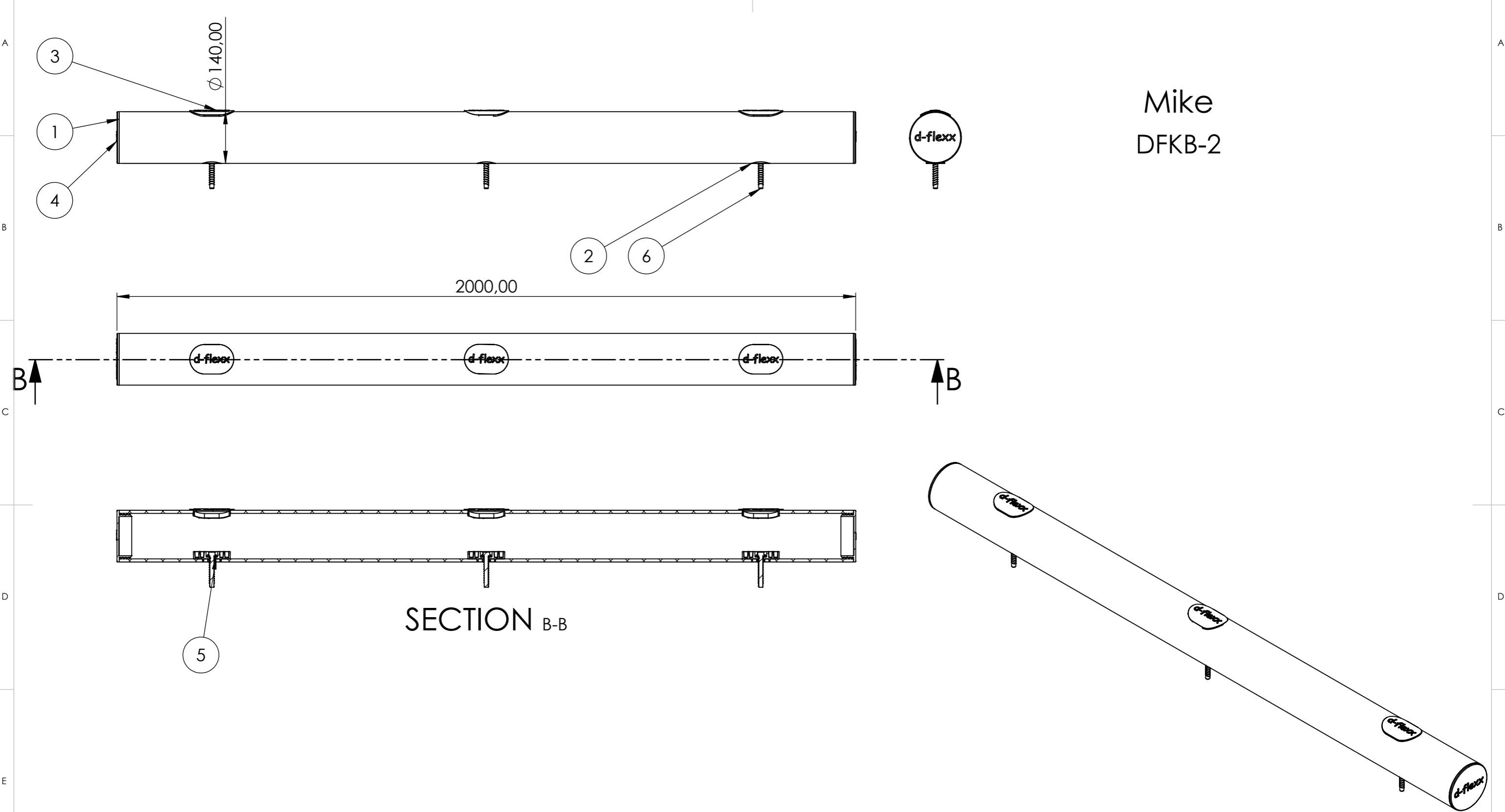
ITEM NO.	PART NUMBER	DESCRIPTION	QTY.
1	82003	140x131x1288 mm	1
2	82001	Custom bracket	2
3	82002	Cap fork protector	2
4	76041	Ø160 Cap with logo	2
5	876.35-7	Washer 30x17x3	2
6	75002	Fischer Ultracut FBS II	2

DESIGNER: Christian Poulsen DATE: 16/04/2019 SCALE:1:10 SIZE:A3
 LAST SAVED BY: christian LAST SAVED DATE:29/04/2019



All rights strictly reserved. Reproduction or issue to third parties in any form whatever, is not permitted without written authority from the proprietor

RAW MATERIAL:
 TOLERANCES:
 MATERIAL:
 COLOR:
 DRAWING NO.: DFKB-1
 TITLE: Mike
 SHEET 1 OF 1



Mike
DFKB-2

SECTION B-B

ITEM NO.	PART NUMBER	DESCRIPTION	QTY.
1	82005	140x123,6x1988 mm	1
2	82001	Custom bracket	3
3	82002	Cap fork protector	3
4	76041	Ø160 Cap with logo	2
5	876.35-7	Washer 30x17x3	3
6	75002	Fischer Ultracut FBS II	3

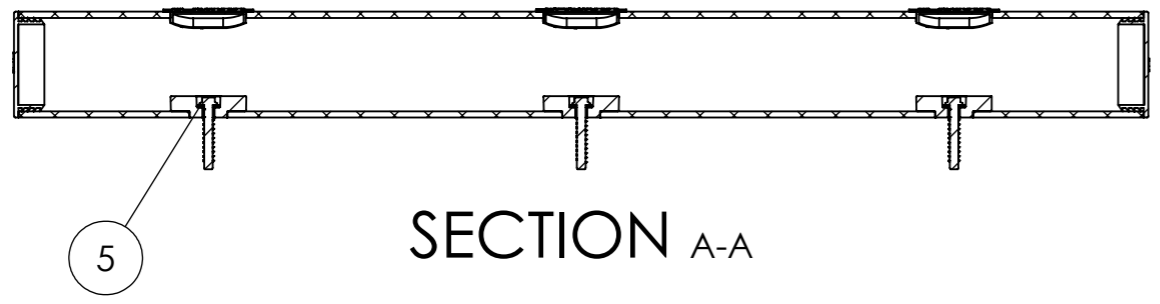
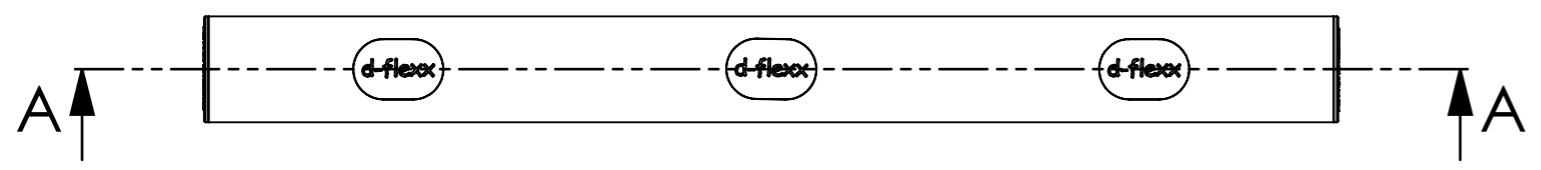
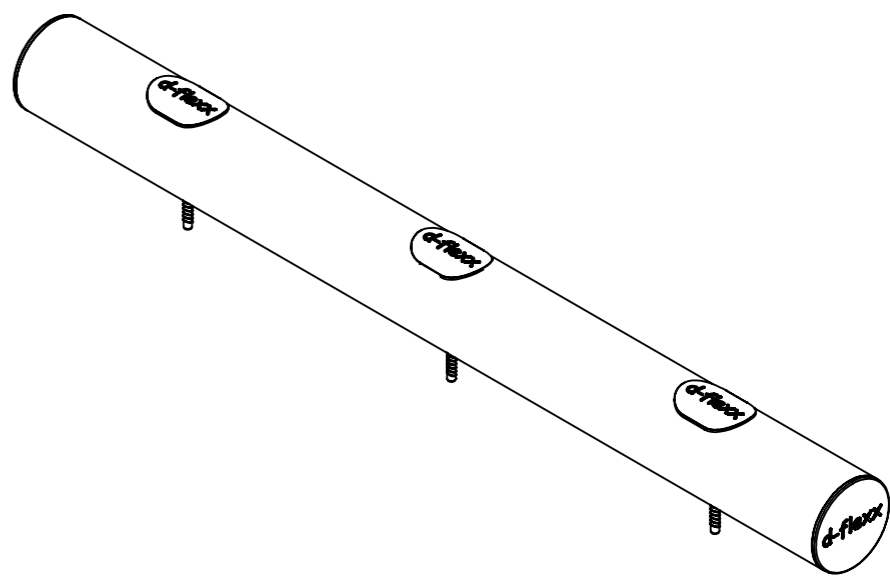
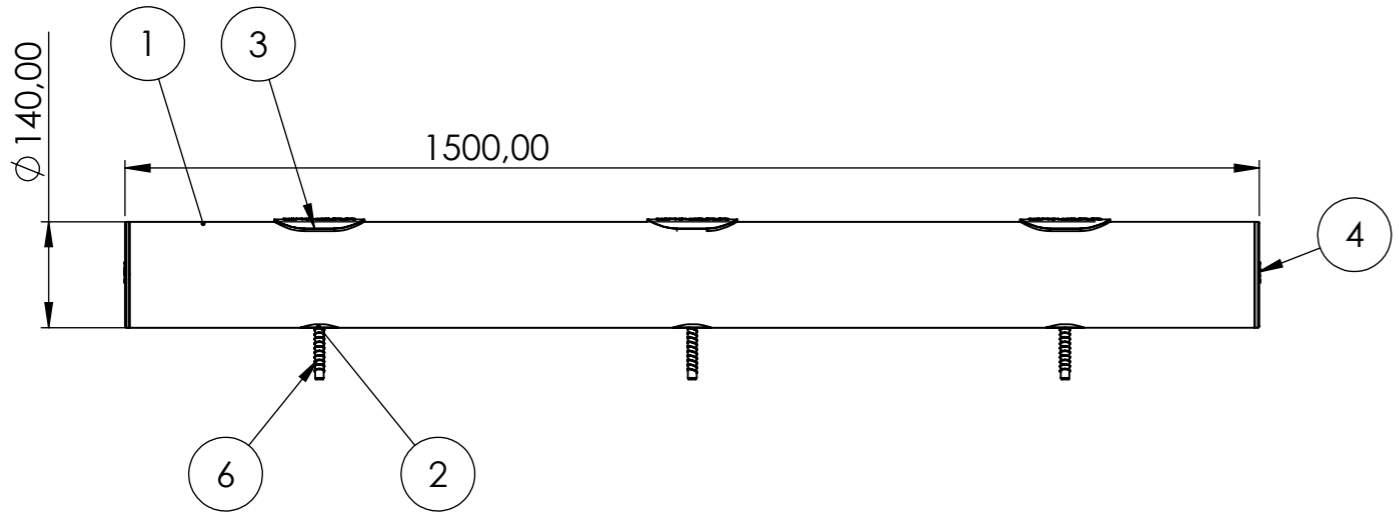
DESIGNER: Christian Poulsen DATE: 16/04/2019 SCALE:1:10 SIZE:A3
 LAST SAVED BY: christian LAST SAVED DATE:21/05/2019



All rights strictly reserved. Reproduction or issue to third parties in any form whatever, is not permitted without written authority from the proprietor

RAW MATERIAL:
 TOLERANCES:
 MATERIAL:
 COLOR:
 DRAWING NO.: DFKB-2
 TITLE: Mike
 SHEET 1 OF 1

Mike
DFKB-3



SECTION A-A

ITEM NO.	PART NUMBER	DESCRIPTION	QTY.
1	82007	140x123,6x1488 mm	1
2	82001	Custom bracket	3
3	82002	Cap fork protector	3
4	76041	Ø140 Cap with logo	2
5	876.35-7	Washer 30x17x3	3
6	75002	Fischer Ultracut FBS II	3



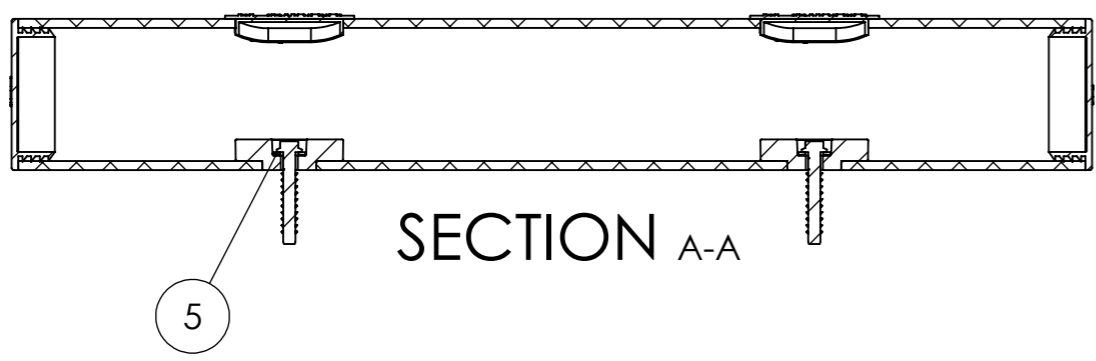
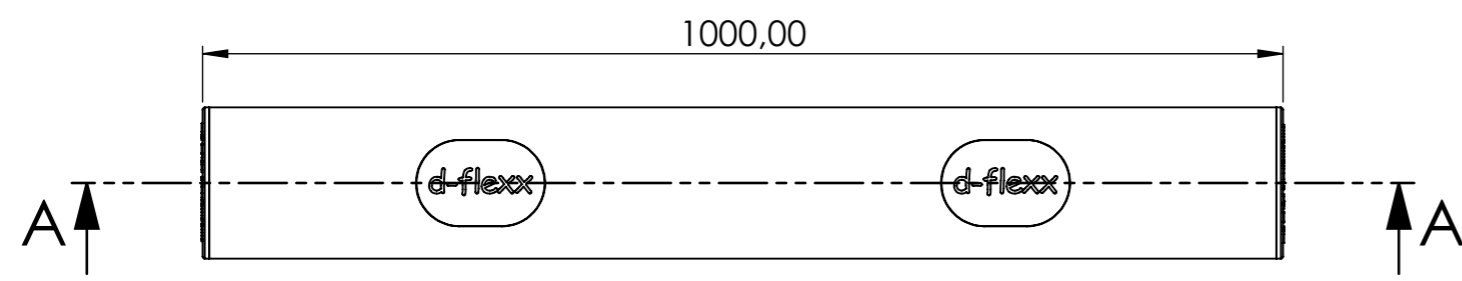
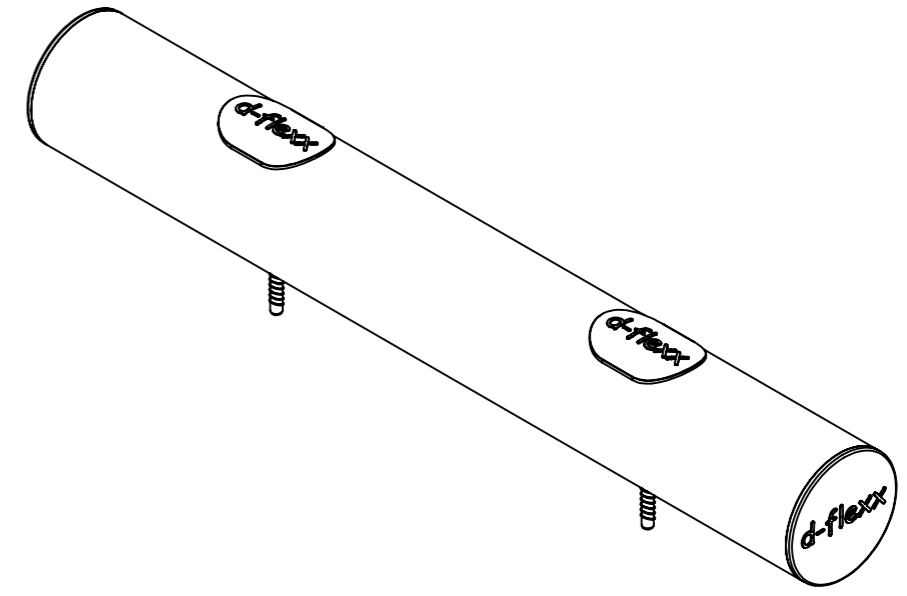
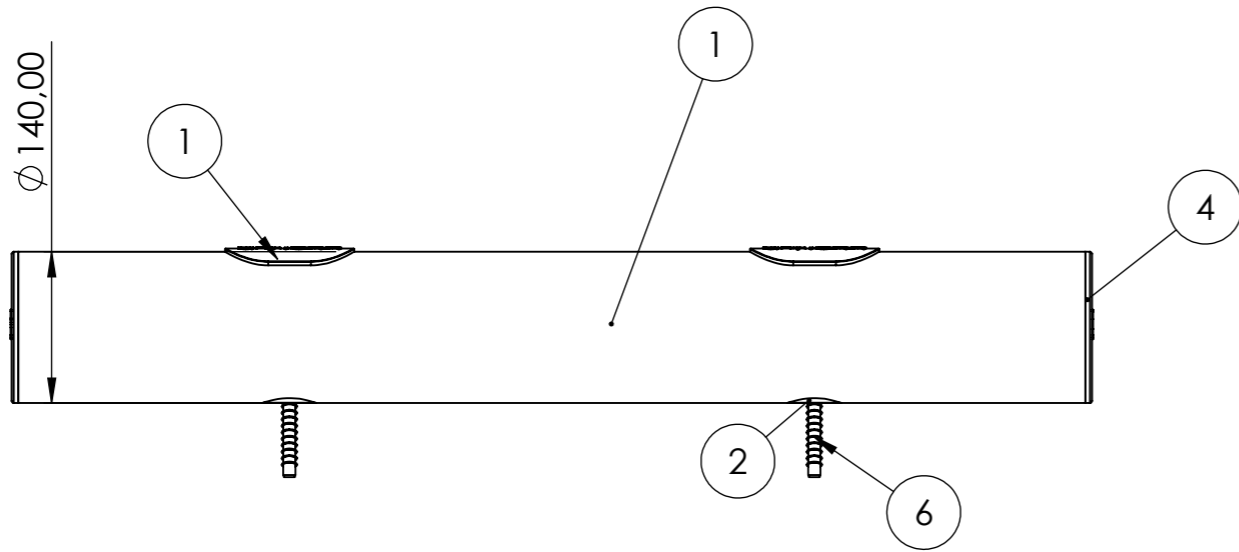
DESIGNER: MADSDIDIA BALLING DATE: 04/06/2019 SCALE:1:10 SIZE:A3
 LAST SAVED BY: christian LAST SAVED DATE:21/06/2019



All rights strictly reserved. Reproduction or issue to third parties in any form whatever, is not permitted without written authority from the proprietor

RAW MATERIAL:
 TOLERANCES:
 MATERIAL:
 COLOR:
 DRAWING NO.: DFKB-3
 TITLE: Mike
 SHEET 1 OF 1

Mike
DFKB-4



SECTION A-A

ITEM NO.	PART NUMBER	DESCRIPTION	QTY.
1	82008	140x131x988 mm	1
2	82001	Custom bracket	2
3	82002	Cap fork protector	2
4	76041	Ø140 Cap with logo	2
5	876.35-7	Washer 30x17x3	2
6	75002	Fischer Ultracut FBS II	2

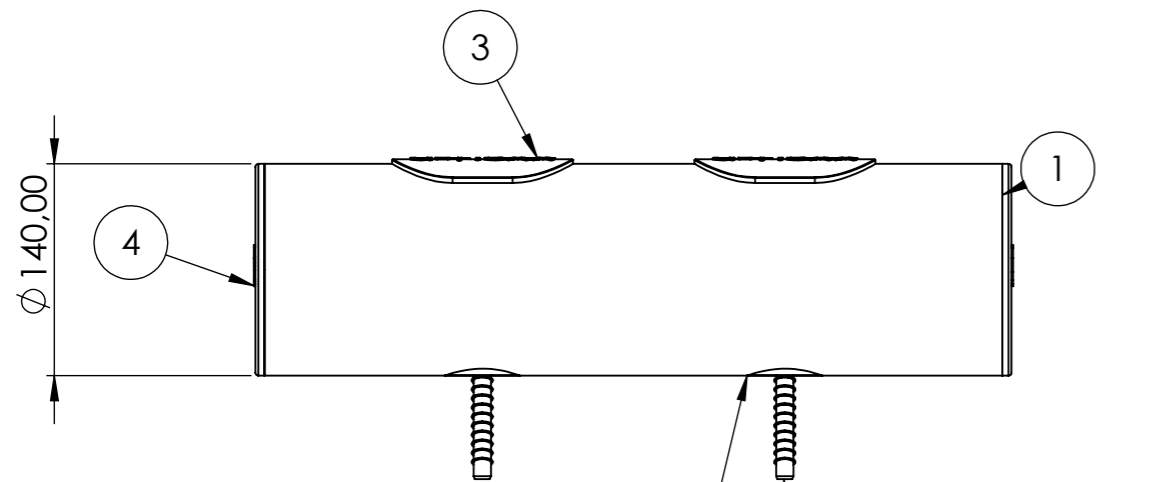


DESIGNER: MADSDIDIA BALLING DATE: 04/06/2019 SCALE:1:7 SIZE:A3
 LAST SAVED BY: christian LAST SAVED DATE:21/06/2019

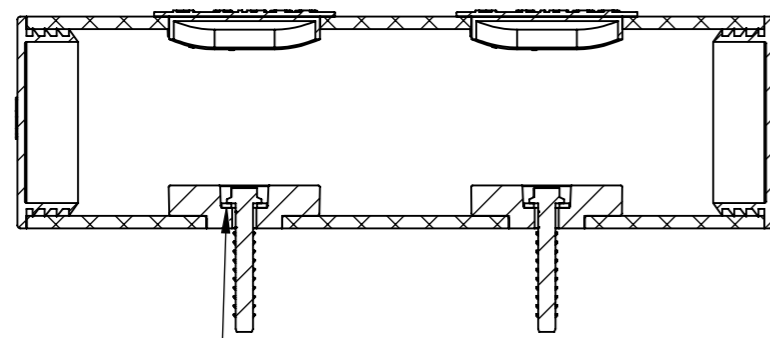
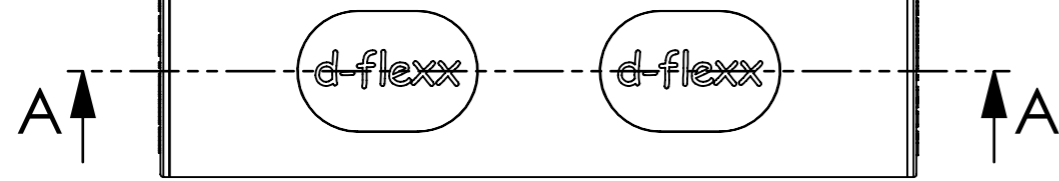


All rights strictly reserved. Reproduction or issue to third parties in any form whatever, is not permitted without written authority from the proprietor

RAW MATERIAL:
 TOLERANCES:
 MATERIAL:
 COLOR:
 DRAWING NO.: DFKB-4
 TITLE: Mike
 SHEET 1 OF 1



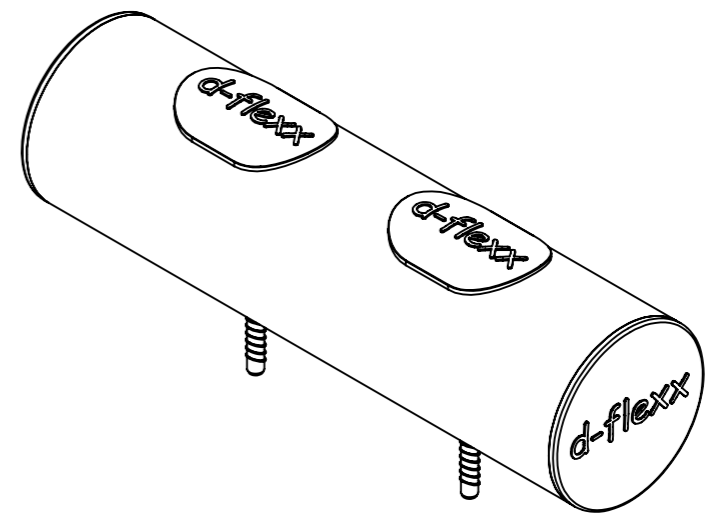
500,00



SECTION A-A

ITEM NO.	PART NUMBER	DESCRIPTION	QTY.
1	82009	140x131x488 mm	1
2	82001	Custom bracket	2
3	82002	Cap fork protector	2
4	76041	Ø140 Cap with logo	2
5	876.35-7	Washer 30x17x3	2
6	75002	Fischer Ultracut FBS II	2

Mike
DFKB-5



DESIGNER: Christian Poulsen
DATE: 27/06/2019 SCALE:1:5 SIZE:A3
LAST SAVED BY: christian
LAST SAVED DATE:27/06/2019

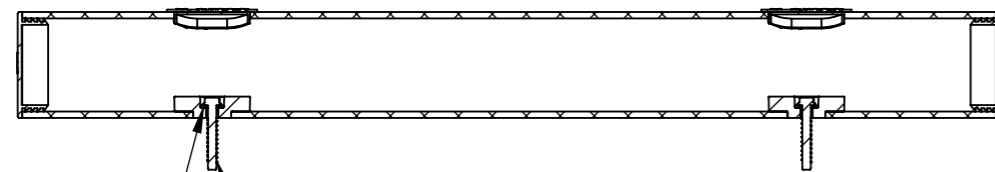
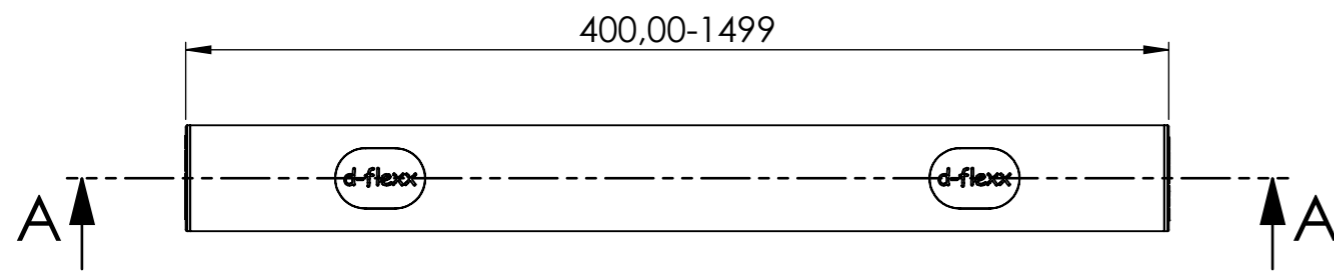
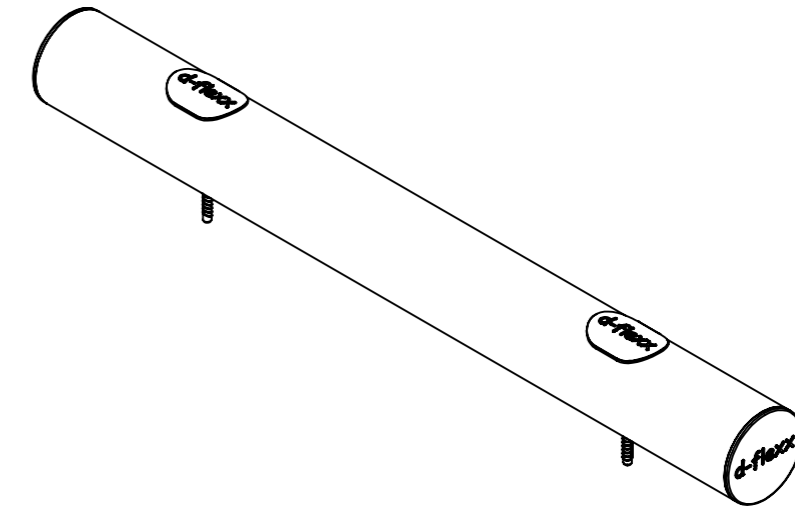
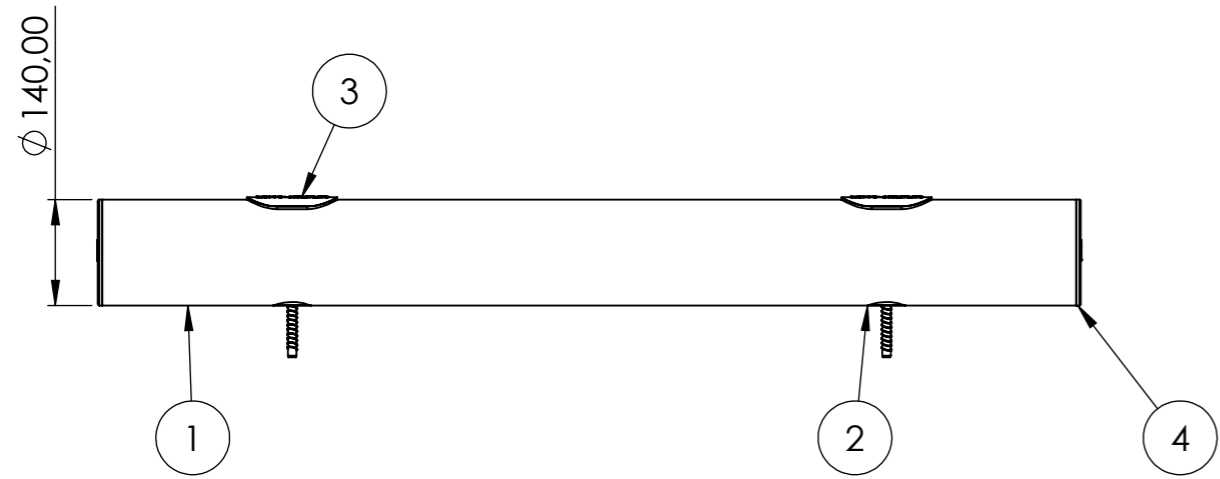


PERFORMANCE IN MIRRORS
All rights strictly reserved. Reproduction or issue to third parties in any form whatever, is not permitted without written authority from the proprietor

RAW MATERIAL:
TOLERANCES:
MATERIAL:
COLOR:
DRAWING NO.: DFKB-5
TITLE: Mike
SHEET 1 OF 1

All dimensions are in mm unless otherwise specified

Mike
DFKB-I



SECTION A-A

ITEM NO.	PART NUMBER	DESCRIPTION	
1	82004	140x131x388-1487 mm	1
2	82001	Custom bracket	2
3	82002	Cap fork protector	2
4	76041	Ø160 Cap with logo	2
5	75002	Fischer Ultracut FBS II	2
6	876.35-7	Washer 30x17x3	2

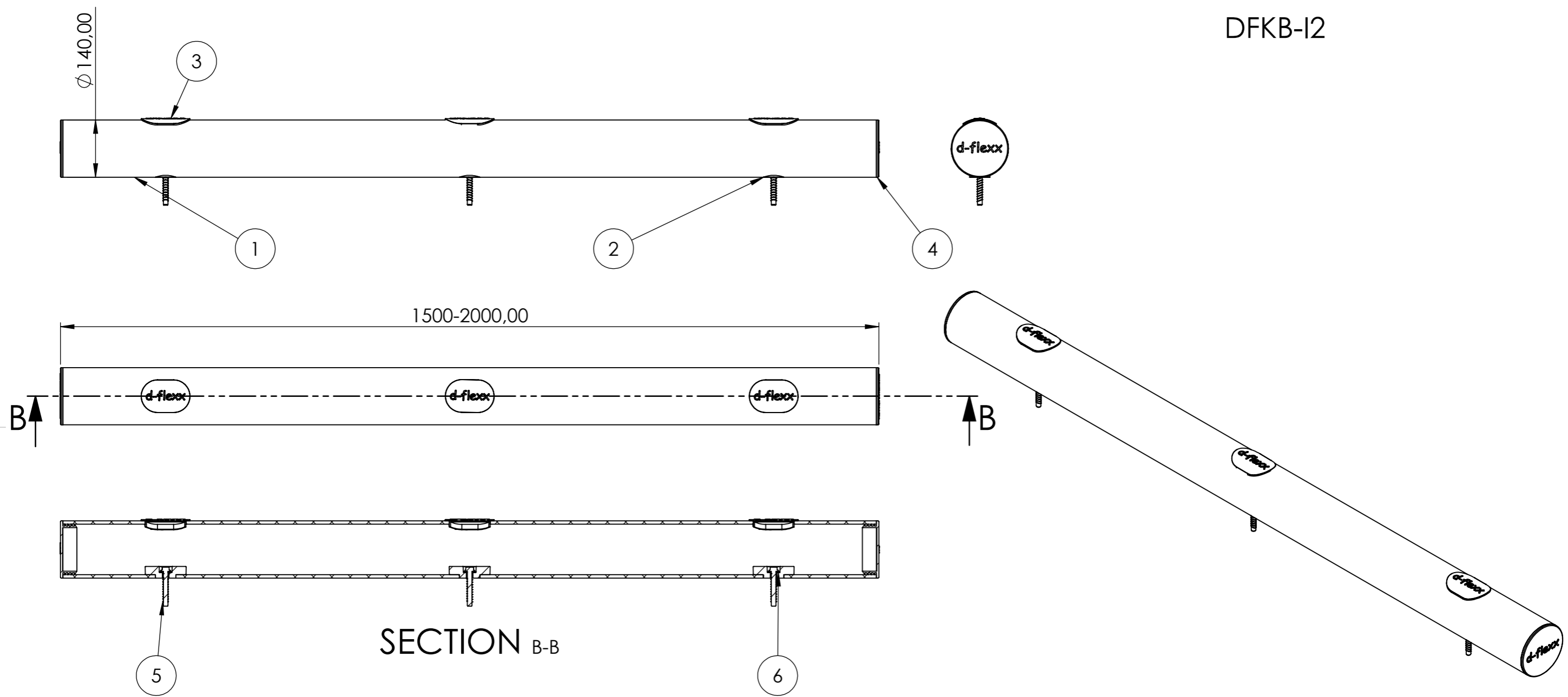
DESIGNER: Christian Poulsen DATE: 16/04/2019 SCALE:1:10 SIZE:A3
 LAST SAVED BY: christian LAST SAVED DATE:07/06/2019



All rights strictly reserved. Reproduction or issue to third parties in any form whatever, is not permitted without written authority from the proprietor

RAW MATERIAL:
 TOLERANCES:
 MATERIAL:
 COLOR:
 DRAWING NO.: DFKB-I
 TITLE: Mike

Mike
DFKB-I2



ITEM NO.	PART NUMBER	DESCRIPTION	
1	82006	140x123,6x1488-1988 mm	1
2	82001	Custom bracket	3
3	82002	Cap fork protector	3
4	76041	Ø160 Cap with logo	2
5	75002	Fischer Ultracut FBS II	3
6	876.35-7	Washer 30x17x3	3

DESIGNER: Christian Poulsen DATE: 16/04/2019 SCALE:1:10 SIZE:A3
 LAST SAVED BY: christian LAST SAVED DATE:07/06/2019



All rights strictly reserved. Reproduction or issue to third parties in any form whatever, is not permitted without written authority from the proprietor

RAW MATERIAL:
 TOLERANCES:
 MATERIAL:
 COLOR:
 DRAWING NO.: DFKB-I2
 TITLE: Mike
 SHEET 1 OF 1