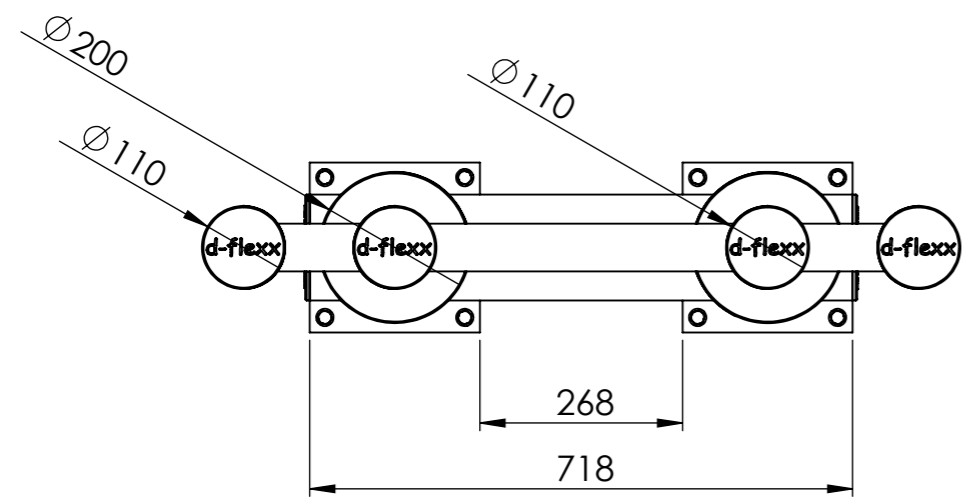
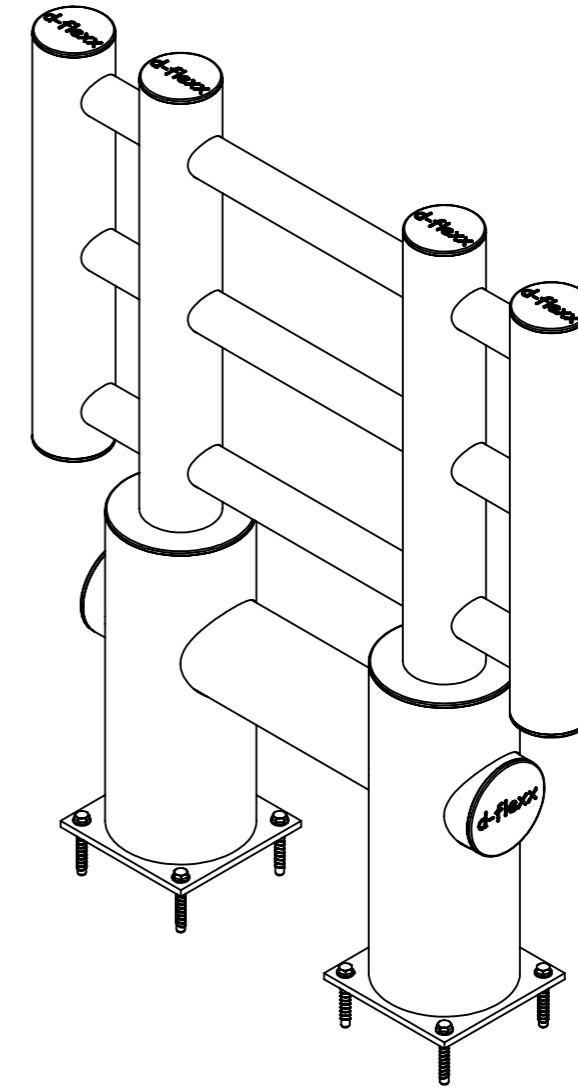


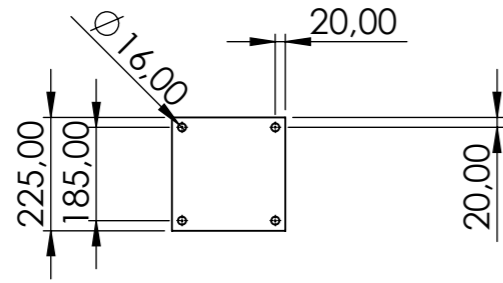
Kilo 1003 mm DFKI+FU1



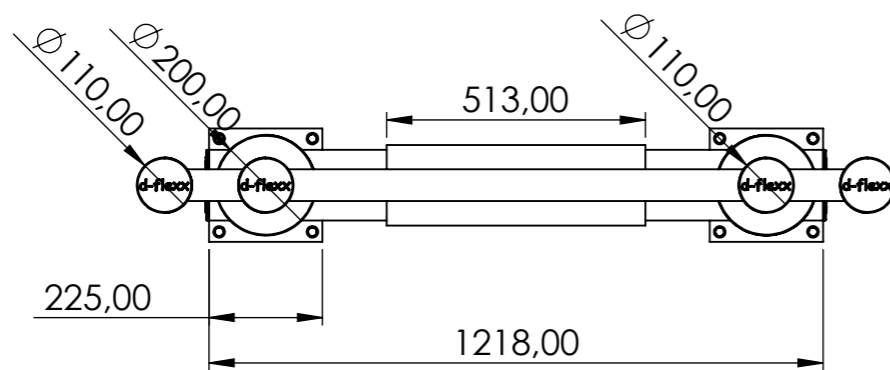
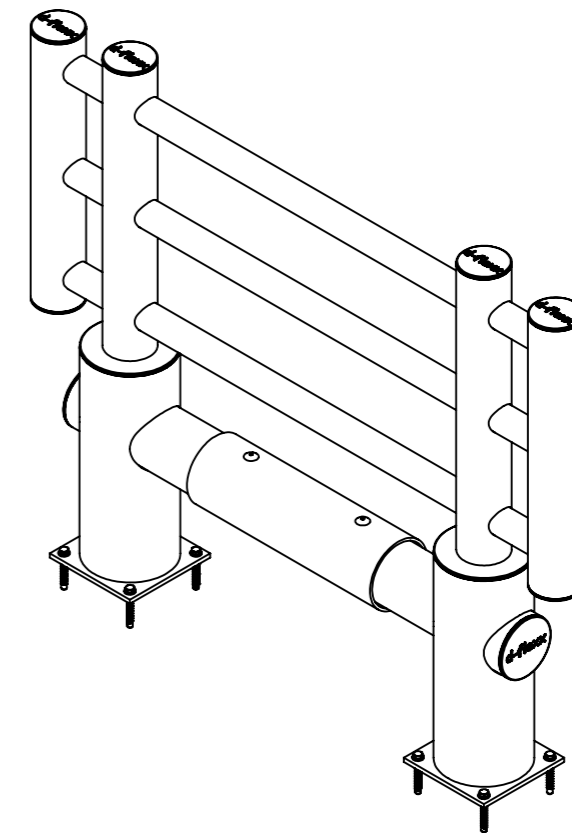
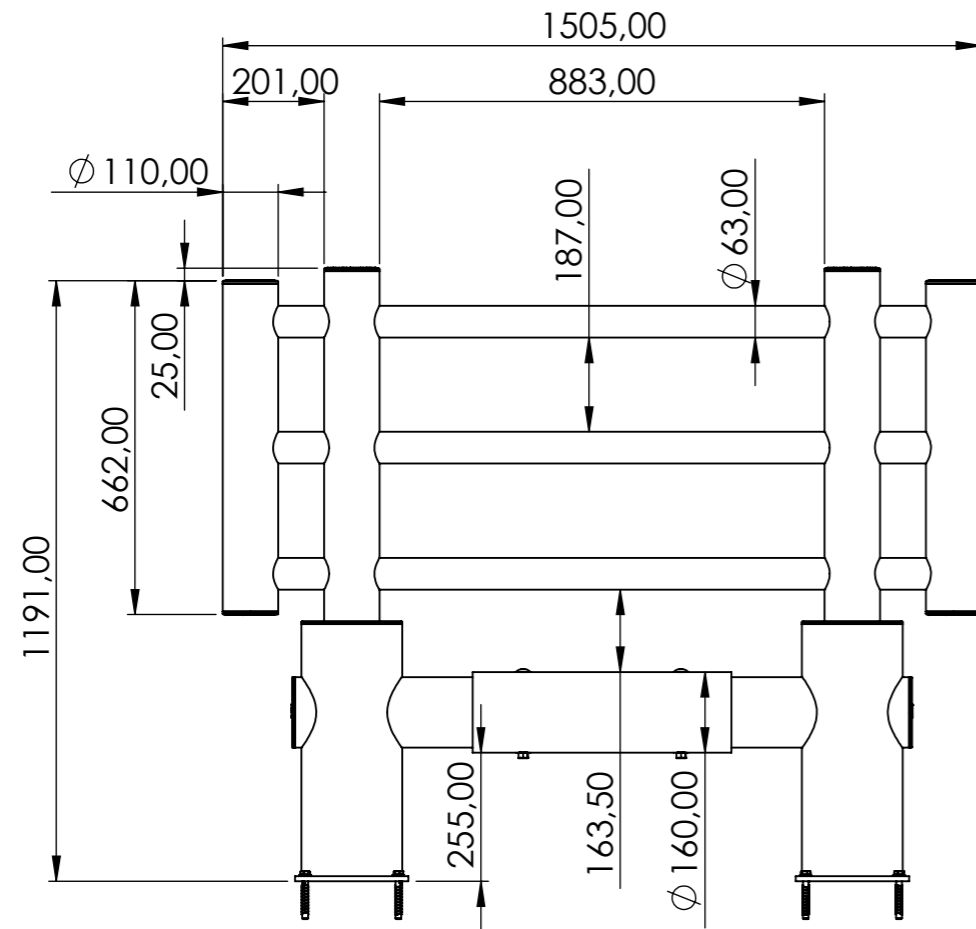
ITEM NO.	PART NUMBER	DESCRIPTION	
1	DFKI+FU1	Machine barrier "Kilo" 1003 mm	1
2	75002	Fischer Ultracut FBS II	8

All dimensions are in mm unless otherwise specified

DESIGNER: Christian Poulsen	DATE: 01/11/2018	SCALE: 1:10	SIZE: A3
LAST SAVED BY: christian	LAST SAVED DATE: 15/02/2019		
	RAW MATERIAL:		
	TOLERANCES:		
	MATERIAL: PE		
	COLOR: Black & Yellow		
	DRAWING NO.: DFKI+FU1		
TITLE: Kilo 1003 mm			
SHEET 1 OF 1			



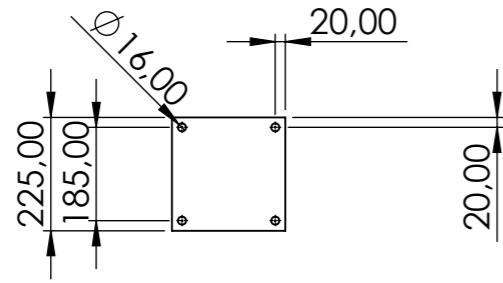
Kilo 1503 mm DFKI+FU2



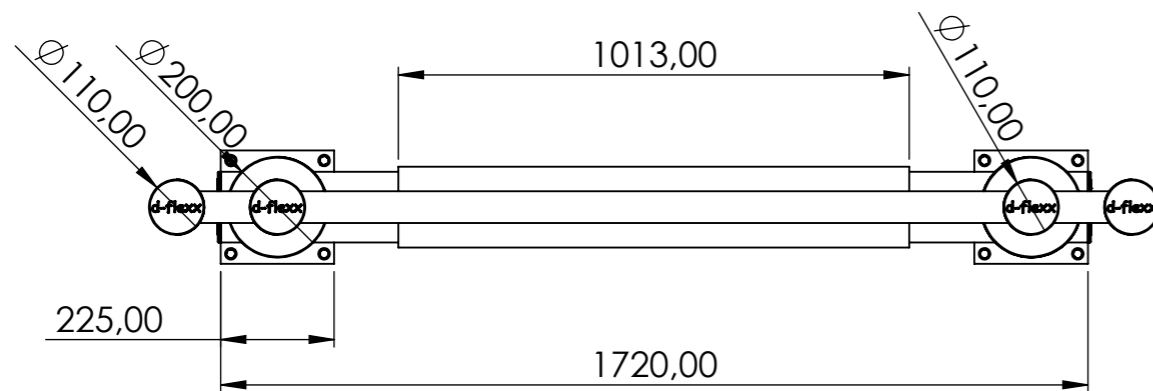
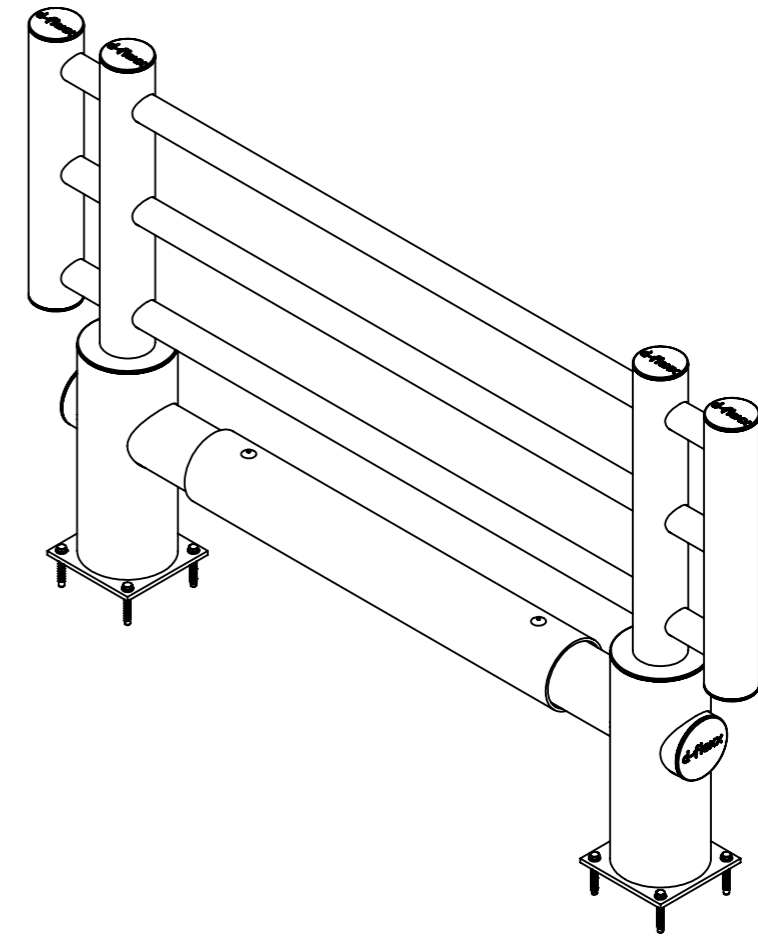
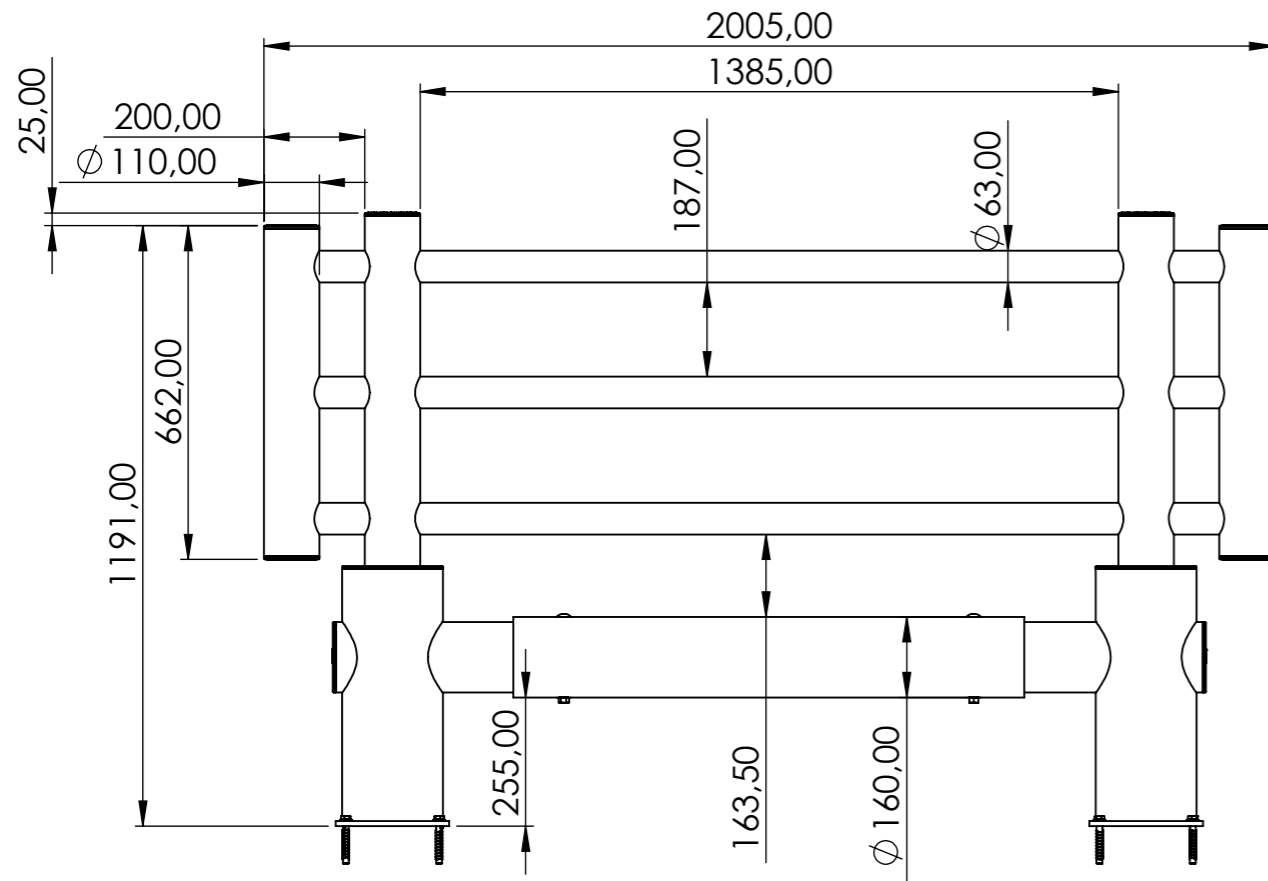
BOM Table			
ITEM NO.	PART NUMBER	DESCRIPTION	QTY.
1	75002	Fischer Ultracut FBS II	8
2	DFKI+FU2	Machine barrier "Kilo" 1503 mm	1

DESIGNER: Christian Poulsen	DATE: 14/08/2018	SCALE:1:15	SIZE:A3
LAST SAVED BY: christian	LAST SAVED DATE:15/02/2019		
	RAW MATERIAL:		
	TOLERANCES:		
	MATERIAL: PE		
	COLOR: Black & Yellow		
	DRAWING NO.: DFKI+FU2		
TITLE: Kilo 1503 mm			
SHEET 1 OF 1			

All dimensions are in mm unless otherwise specified



Kilo 2003 mm
DFKI+FU3



DESIGNER: Christian Poulsen DATE: 14/08/2018 SCALE:1:15 SIZE:A3
LAST SAVED BY: christian LAST SAVED DATE:15/02/2019

ITEM NO.	PART NUMBER	DESCRIPTION	QTY.
1	75002	Fischer Ultracut FBS II	7
2	DFKI+FU3	Machine barrier "Kilo" 2003 mm	1



RAW MATERIAL:
TOLERANCES:
MATERIAL: PE
COLOR: Black & Yellow
DRAWING NO.: DFKI+FU3
TITLE: Kilo 2003 mm

All dimensions are in mm unless otherwise specified

SHEET 1 OF 1