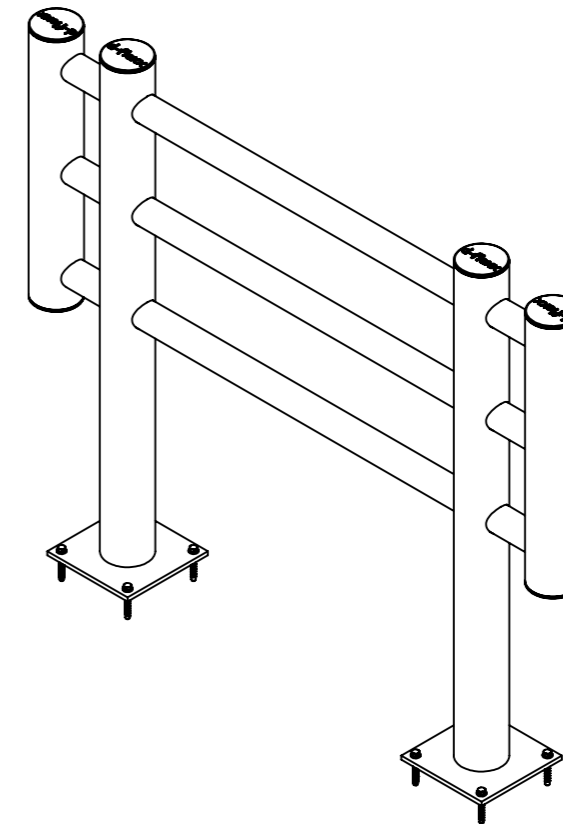
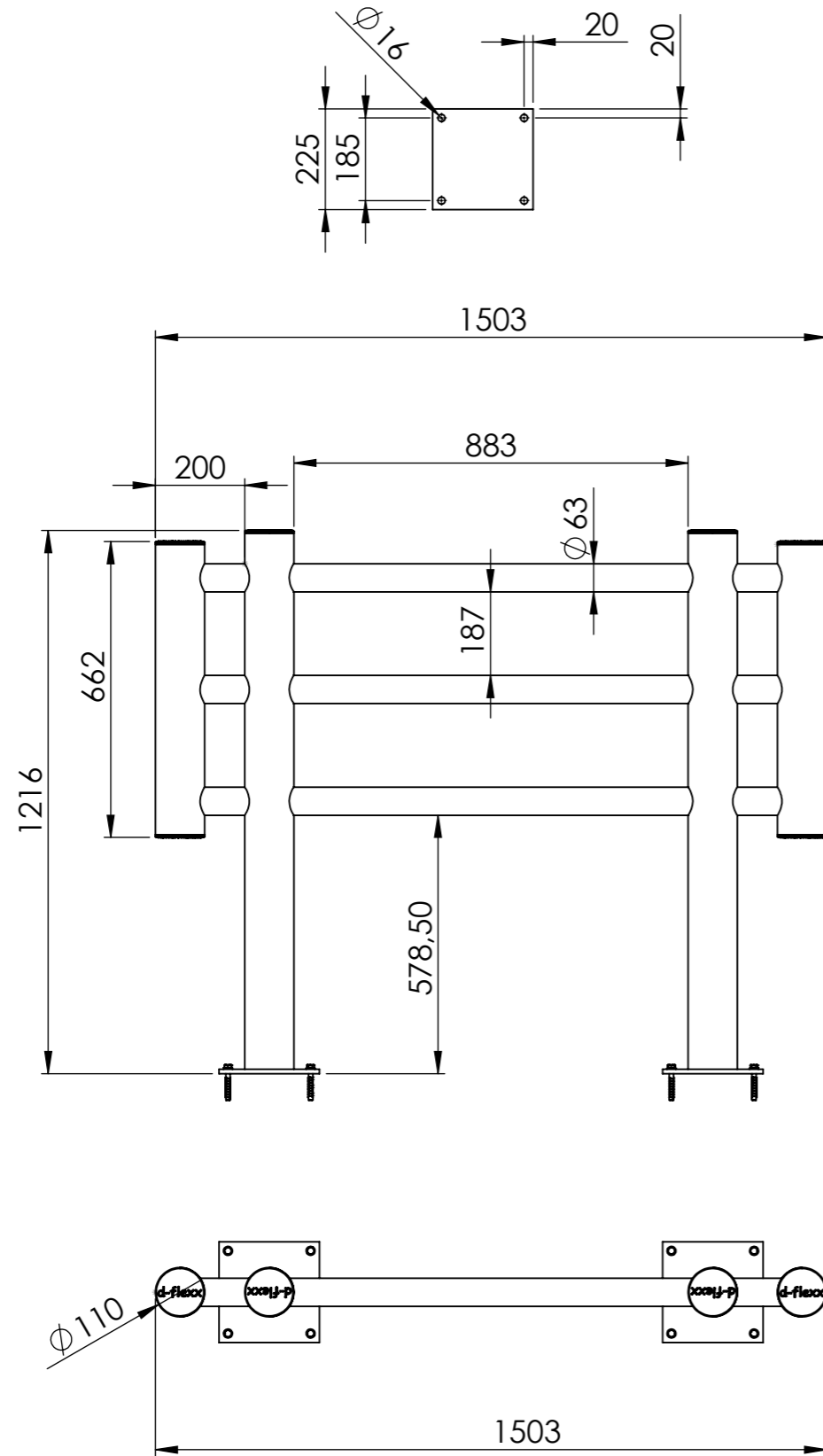


# Foxtrot DFFS-FU2

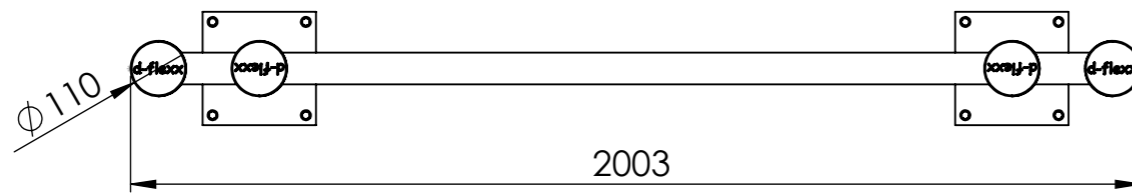
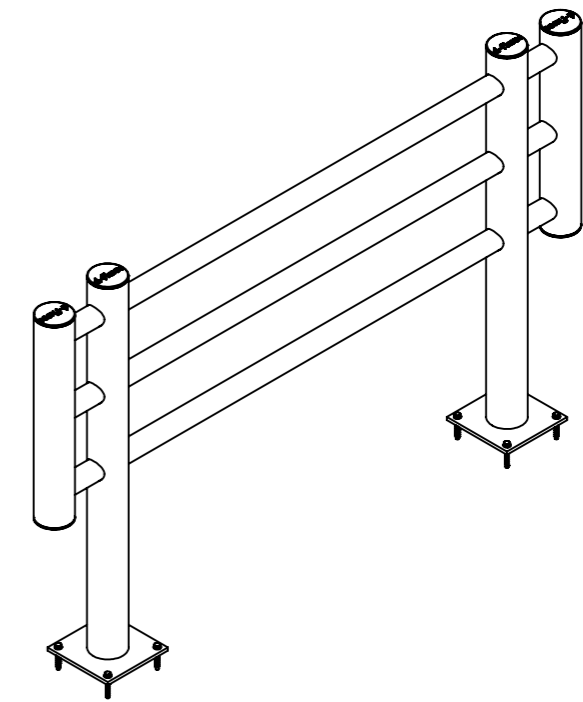
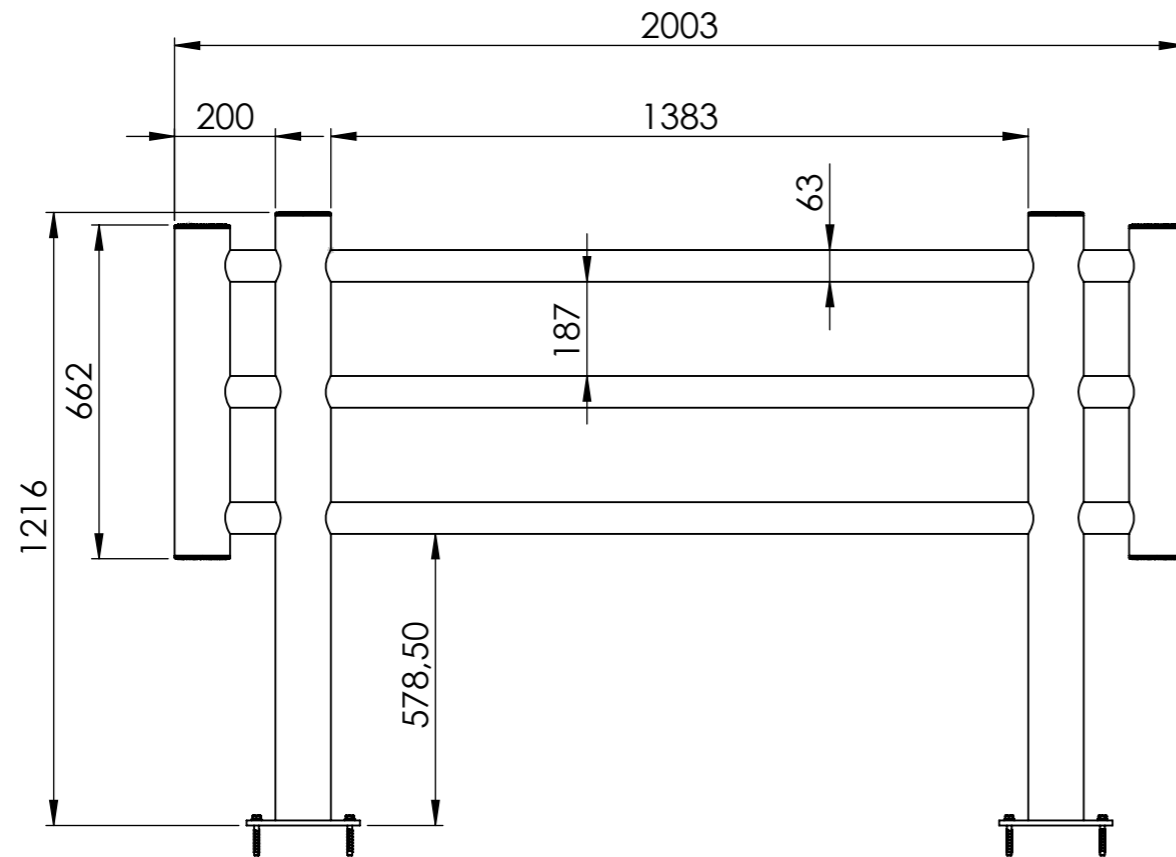
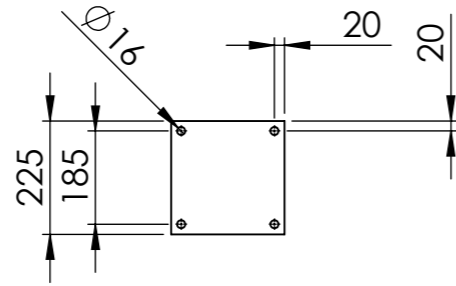


ITEM NO.	PART NUMBER	DESCRIPTION
1	DFFS-FU2	Machine bairrier 1503 mm
2	75002	Fischer Ultracut FBS II
3	980.01-2	Metal foot

All dimensions are in mm unless otherwise specified

DESIGNER: Christian Poulsen	DATE: 12/10/2017	SCALE:1:15	SIZE:A3
LAST SAVED BY: christian	LAST SAVED DATE:15/02/2019		
	RAW MATERIAL:		
	TOLERANCES:		
	MATERIAL: PE		
	COLOR: Black & Yellow		
	DRAWING NO.: DFFS-FU2		
TITLE: Foxtrot			
SHEET 1 OF 1			

# Foxtrot DFFS-FU3



ITEM NO.	PART NUMBER	DESCRIPTION
1	DFFS-FU3	Machine barrier 2003 mm
2	75002	Fischer Ultracut FBS II
3	980.01-2	Metal foot

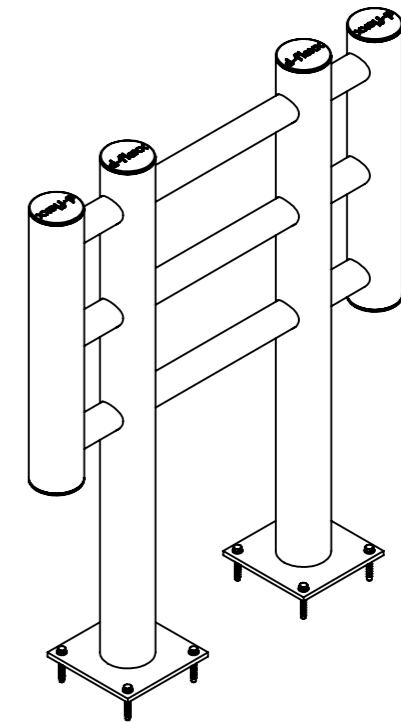
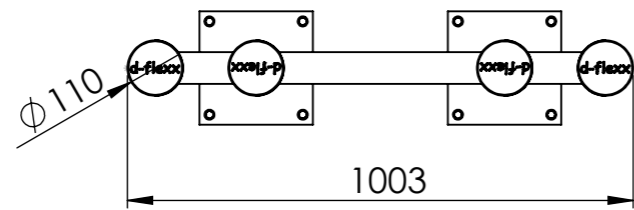
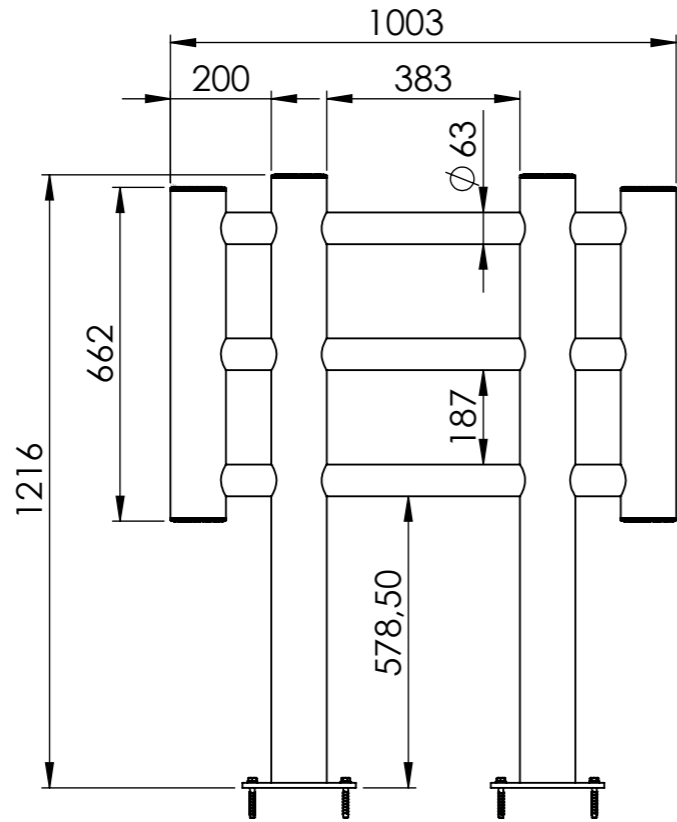
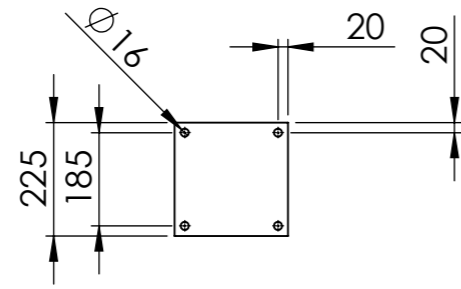
All dimensions are in mm unless otherwise specified

DESIGNER: CHRISTIAN POULSEN    DATE: 12/10/2017    SCALE:1:15    SIZE:A3  
 LAST SAVED BY: christian    LAST SAVED DATE:15/02/2019



TOLERANCES:  
 MATERIAL: PE  
 COLOR: Black & Yellow  
 DRAWING NO.: DFFS-FU3  
 TITLE: Foxtrot  
 SHEET 1 OF 1

# Foxtrot DFFS-FU1



ITEM NO.	PART NUMBER	DESCRIPTION
1	DFFS-FU1	Machine barrirer 1003 mm
2	75002	Fischer Ultracut FBS II
3	980.01-2	Metal foot

All dimensions are in mm unless otherwise specified

DESIGNER: Christian Poulsen	DATE: 19/09/2017	SCALE:1:15	SIZE:A3
LAST SAVED BY: christian	LAST SAVED DATE:15/02/2019		
	RAW MATERIAL:		
	TOLERANCES:		
	MATERIAL: PE		
	COLOR: Black & Yellow		
	DRAWING NO.: DFFS-FU1		
TITLE: Foxtrot			
SHEET 1 OF 1			